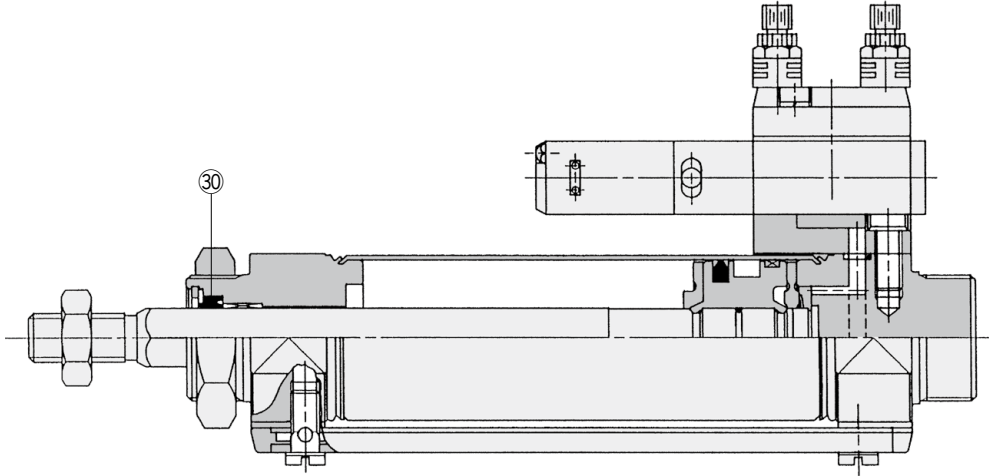


# CVM5K Series

∅20, ∅25  
∅32, ∅40

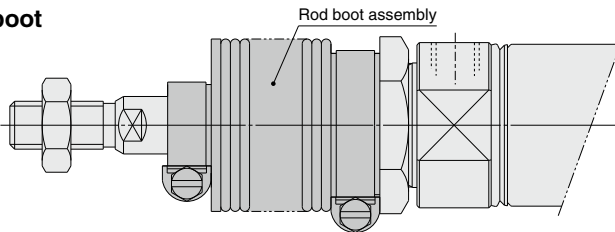
The Replacement Procedure is on p. 377

## Construction



\* The number corresponds with that in the "Construction" of the CVM5K series in the **Web Catalog**.

### With rod boot



\* Replaceable with the rod boot assembly  
For details on replacement part numbers, refer to page 243.

### Seal Kit List

No.	Description	Material	Note
30	Rod seal	NBR	

### Replacement Parts: Seal Kit

Bore size (mm)	Part no.	Contents
20	CM2K20-PS	
25	CM2K25-PS	
32	CM2K32-PS	
40	CM2K40-PS	

\* Since the seal kit does not include a grease pack, it should be ordered separately.

**Grease pack part no.: GR-S-010 (10 g)**

Actuators

Rotary Actuators  
Air Grippers

Modular F.R.L.  
Pressure Control Equipment

Air Preparation  
Equipment

Industrial Filters

Replacement  
Procedure

Actuators

Rotary Actuators  
Air Grippers

Modular F.R.L.  
Pressure Control Equipment

Air Preparation Equipment  
Industrial Filters