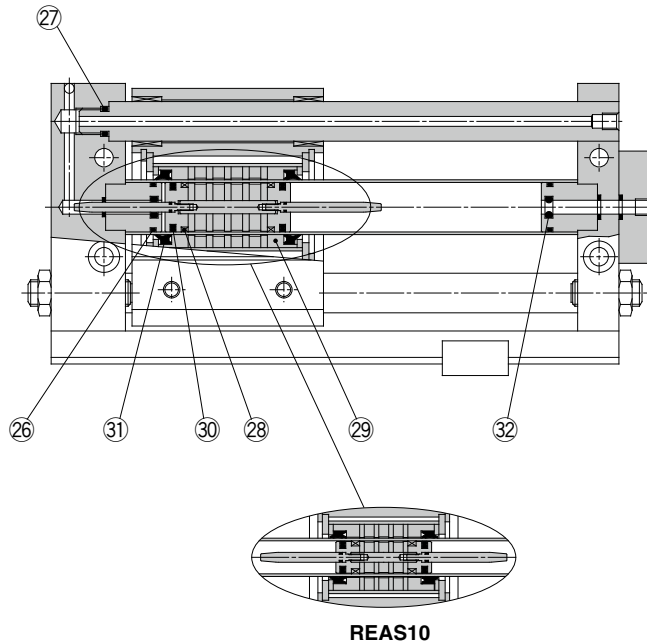


# REAS Series

 $\phi 10, \phi 15$ The  
Replacement  
Procedure is on  
p. 466

## Construction

\* The numbers correspond with those in the "Construction" of the REAS series in the **Web Catalog**.

### Seal Kit List

No.	Description	Material	Note
26	Cylinder tube gasket	NBR	
27	Guide shaft gasket	NBR	
28	Wear ring A	Special resin	
29	Wear ring B	Special resin	
30	Piston seal	NBR	
31	Scraper	NBR	
32	Cushion seal	NBR	

### Replacement Parts: Seal Kit

Bore size (mm)	Part no.	Contents
10	REAS10-PS	Set of nos. 26, 27, 29, 30, 31, 32 (Note 1) 2)
15	REAS15-PS	Set of nos. 26, 27, 28, 29, 30, 31, 32 (Note 1)

Note) The seal kit includes 26 to 32. Order the seal kit based on each bore size.

Note 1) It may be difficult to replace the cushion seal 32.

Note 2) For wear ring A,  $\phi 10$ , please consult with SMC.\* The seal kit includes a grease pack ( $\phi 10$ : 5 g and 10 g,  $\phi 15$ : 10 g).

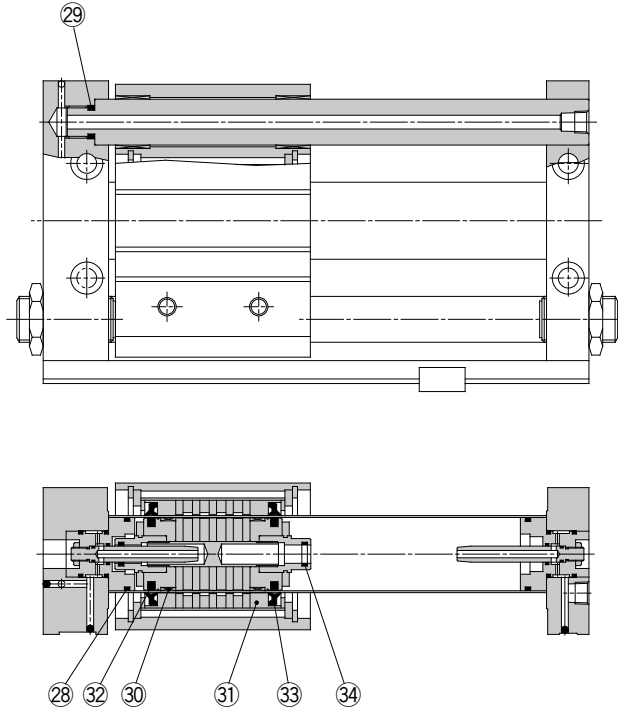
Order with one of the following part numbers when only the grease pack is required.

For  $\phi 10$  grease pack part no.: GR-F-005 (5 g) for external sliding part  
GR-S-010 (10 g) for tube interiorFor  $\phi 15$  grease pack part no.: GR-S-010 (10 g)

# REAS Series

 $\varnothing 20, \varnothing 25, \varnothing 32, \varnothing 40$ 

## Construction



\* The numbers correspond with those in the "Construction" of the REAS series in the **Web Catalog**.

### Seal Kit List

No.	Description	Material	Note
28	Cylinder tube gasket	NBR	
29	Guide shaft gasket	NBR	
30	Wear ring A	Special resin	
31	Wear ring B	Special resin	
32	Piston seal	NBR	
33	Scraper	NBR	
34	Cushion seal	NBR	

### Replacement Parts: Seal Kit

Bore size (mm)	Part no.	Contents
20	REAS20-PS	Set of nos. 28, 29, 30, 31, 32, 33, 34 <small>Note 1)</small>
25	REAS25-PS	
32	REAS32-PS	
40	REAS40-PS	

Note) The seal kit includes 28 to 34. Order the seal kit based on each bore size.

Note 1) Cushion seal 34 may be difficult to be replaced.

\* The seal kit includes a grease pack (10 g).

Order with the following part number when only the grease pack is required.

**Grease pack part no.: GR-S-010 (10 g)**