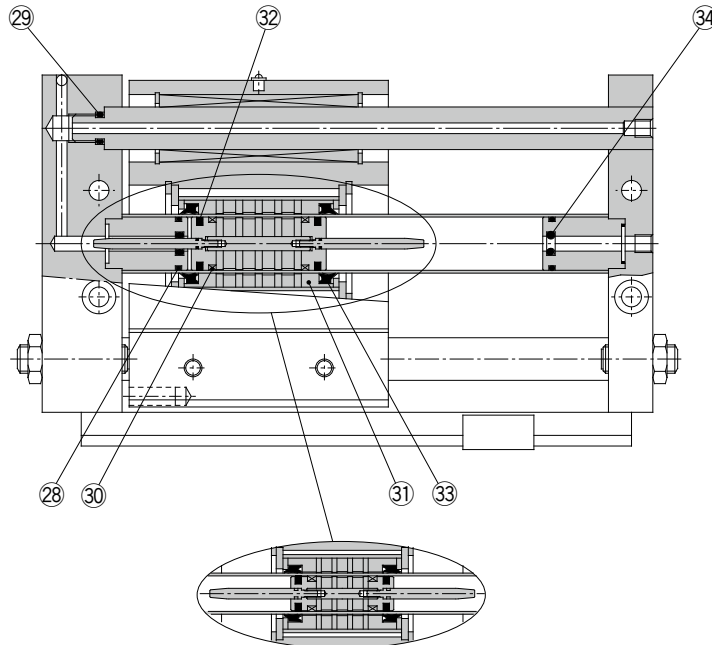


# REAL Series

Ball Bushing Bearing Type:  
ø10, ø15

## Construction

ø10, ø15



REAL10

\* The numbers correspond with those in the "Construction" of the REAL series in the **Web Catalog**.

### Seal Kit List

No.	Description	Material	Note
28	Cylinder tube gasket	NBR	
29	Guide shaft gasket	NBR	
30	Wear ring A	Special resin	
31	Wear ring B	Special resin	
32	Piston seal	NBR	
33	Scraper	NBR	
34	Cushion seal	NBR	

### Replacement Parts: Seal Kit

Bore size (mm)	Part no.	Contents
10	REAL10-PS	Set of nos. 28, 29, 31, 32, 33, 34
15	REAS15-PS	Set of nos. 28, 29, 30, 31, 32, 33, 34

Note) The seal kit includes 28 to 34. Order the seal kit based on each bore size.

Note) It may be difficult to replace the cushion seal 34.

Note) For wear ring A, ø10, please consult with SMC.

\* The seal kit includes a grease pack (ø10: 5 g and 10 g, ø15: 10 g).

Order with one of the following part numbers when only the grease pack is required.

For ø10 grease pack part no.: GR-F-005 (5 g) for external sliding part  
GR-S-010 (10 g) for tube interior

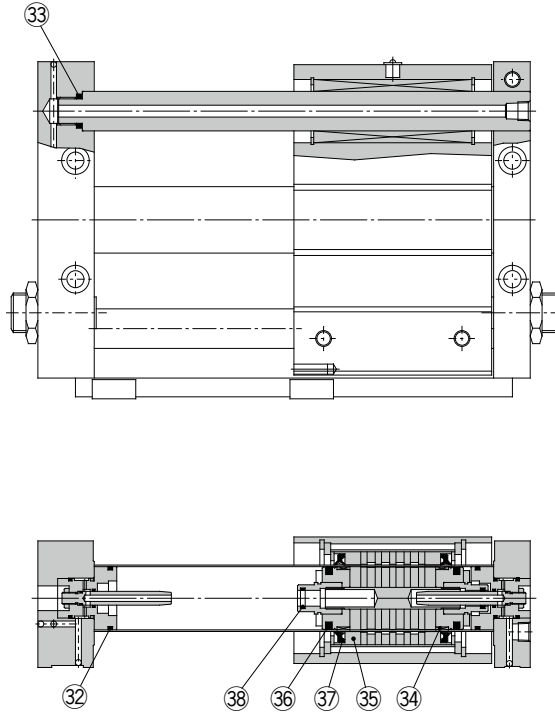
For ø15 grease pack part no.: GR-S-010 (10 g)

# REAL Series

Ball Bushing Bearing Type:  
ø20, ø25, ø32, ø40

## Construction

ø20 to ø40



\* The numbers correspond with those in the "Construction" of the REAL series in the **Web Catalog**.

### Seal Kit List

No.	Description	Material	Note
32	Cylinder tube gasket	NBR	
33	Guide shaft gasket	NBR	
34	Wear ring A	Special resin	
35	Wear ring B	Special resin	
36	Piston seal	NBR	
37	Scraper	NBR	
38	Cushion seal	NBR	

### Replacement Parts: Seal Kit

Bore size (mm)	Part no.	Contents
20	REAS20-PS	Set of nos. 32, 33, 34, 35, 36, 37, 38
25	REAS25-PS	
32	REAS32-PS	
40	REAS40-PS	

Note) The seal kit includes 32 to 38. Order the seal kit based on each bore size.

Note) It may be difficult to replace the cushion seal 38.

\* The seal kit includes a grease pack (10 g).

Order with the following part number when only the grease pack is required.

**Grease pack part no.: GR-S-010 (10 g)**