

Pin Clamp Cylinder

CKQG□/CKQP□ Series ø50



Replacement Parts

■ Seal Kit (For type without lock only)

Part no.	Contents/Quantity		
	Rod seal	Piston seal	Tube gasket
CQ2B50-PS	1	1	1

* Not available with a lock

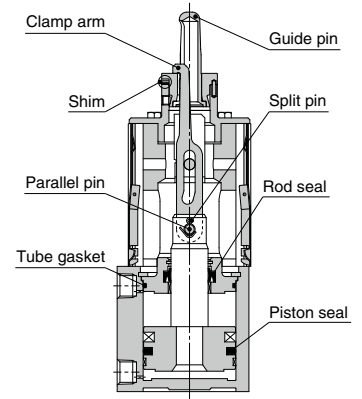
Storage of Seals (for long term storage)

- 1) Enclose seals by packaging and store.
- 2) Avoid locations exposed to direct sunlight and high temperature and humidity.
In particular, isolate from equipment that can generate heat, radiation and ozone.
- 3) Do not stack a lot of seals, and deform or damage it by putting a heavy object on it.
- 4) White particles can emerge from the surface of seals during storage, but they do not affect its performance.

■ Grease Pack

Use a grease pack when adding grease during the replacement of the seals or maintenance of the cylinder.

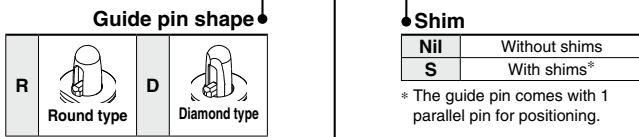
Part no.	Grease weight
GR-S-010	10 g



CKQG□D□50
(With shims)

■ Guide Pin Part Nos.

CKQG - R 125 □



* The guide pin comes with 1 parallel pin for positioning.

Guide pin diameter
* Refer to Table 1 (Symbol 2) below.

■ Clamp Arm Part Nos.

CKQG - 13 A

Applicable hole diameter of workpiece
* Refer to Table 1 (Symbol 1) below.

Clamp arm
* The clamp arm includes a split pin.

Table 1. Guide Pin

Symbol 1	Applicable hole diameter of workpiece	Symbol 2	Guide pin diameter	Shape
13	13	125	12.5	Round type
		127	12.7	
		128	12.8	
		129	12.9	
		130	13.0	
15	15	145	14.5	
		147	14.7	
		148	14.8	
		149	14.9	
		150	15.0	
16	16	155	15.5	Diamond type
		157	15.7	
		158	15.8	
		159	15.9	
		160	16.0	

Symbol 1	Applicable hole diameter of workpiece	Symbol 2	Guide pin diameter	Shape
18	18	175	17.5	Round type
		177	17.7	
		178	17.8	
		179	17.9	
		180	18.0	
		20	20	
197	19.7			
198	19.8			
199	19.9			
200	20.0			
25	25			245
		247	24.7	
		248	24.8	
		249	24.9	
		250	25.0	
		30	30	295
297	29.7			
298	29.8			
299	29.9			
300	30.0			