

# Bellows Pad (4.5-Stage)

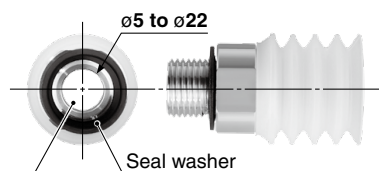
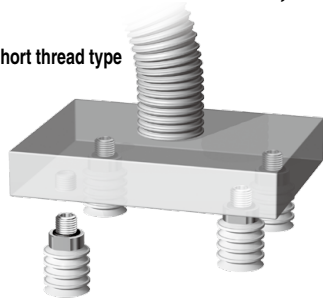
Symbol/Form

ZJ: Bellows type

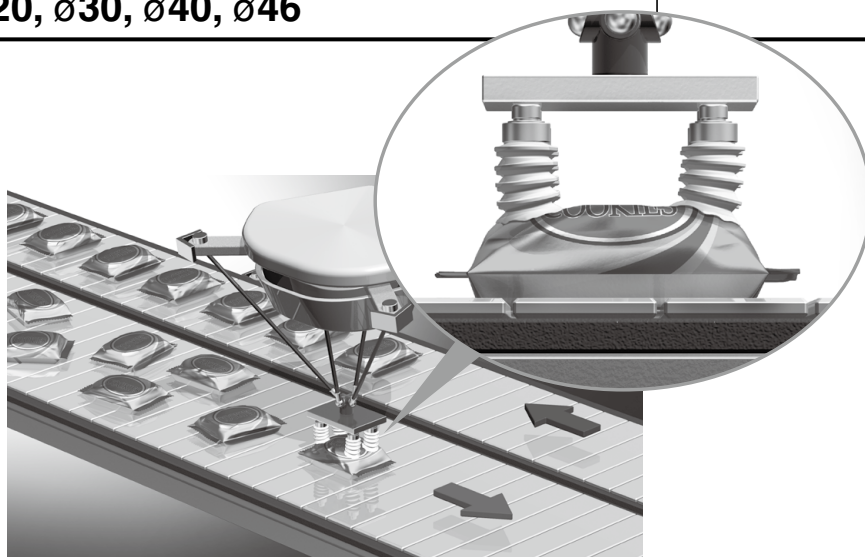
Pad diameter  $\varnothing 15, \varnothing 20, \varnothing 30, \varnothing 40, \varnothing 46$

- For adsorbing workpieces moving at high speeds
- Follows various shapes of workpieces
- Pad material: Silicone rubber (Rubber hardness: A40, A50, A60)

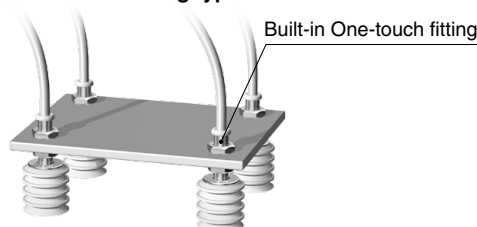
• Short thread type



- Large opening size (short thread type):  $\varnothing 5$  to  $\varnothing 22$   
For vacuum blower pumps with high suction flow rates



• One-touch fitting type



## How to Order

Pad unit **ZP2 - B15 ZJ S**

Symbol	Pad diameter
<b>B15</b>	$\varnothing 15^{*1}$
<b>B20</b>	$\varnothing 20^{*1}$
<b>B30</b>	$\varnothing 30^{*1}$
<b>40</b>	$\varnothing 40$
<b>46</b>	$\varnothing 46$

\*1 Pad O.D.

Symbol	Form
<b>ZJ</b>	Bellows type (4.5-stage)

• Pad material

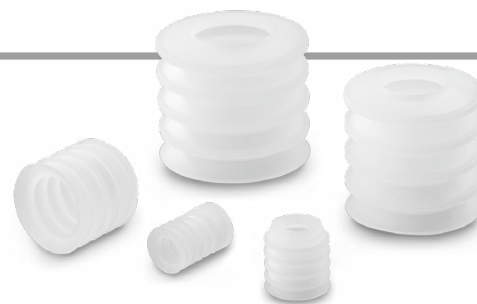
Symbol	Material	Applicable pad diameter					
		$\varnothing 15$	$\varnothing 20$	$\varnothing 30$	$\varnothing 40$	$\varnothing 46$	
<b>N</b>	NBR	—	—	—	●	●	
<b>U</b>	Urethane rubber	—	—	—	●	●	
<b>F</b>	FKM	—	—	—	●	●	
<b>GN</b>	Conductive NBR	—	—	—	●	●	
<b>GS</b>	Conductive silicone rubber (Black)	—	—	—	●	●	
<b>S</b>	Silicone rubber*1*2 (White)	Rubber hardness (Shore A: $\pm 5^\circ$ )	40	●	●	●	—
			50	—	—	—	●
<b>S6</b>	Silicone rubber*1*2 High-hardness type (White)	60	●	●	●	—	

\*1 Uses a material compliant with a dissolution test of the FDA (U.S. Food and Drug Administration) regulation 21CFR§177.2600 for "Rubber articles intended for repeated use."

\*2 Uses a material compliant with the standards for "Rubber apparatus (excluding baby drinking apparatus) and containers/packaging" (D3) (Partial revision: Japanese Ministry of Health, Labour, and Welfare Notification No. 595, 2012) in Section 3 "Apparatus and Containers/Packaging" of the Japan Food Sanitation Act, Article 18 "Specifications and Standards for Food and Food Additives, etc." (Japanese Ministry of Health and Welfare Notification No. 370, 1959)

### Mounting Bracket Part Nos.

Adapter Assembly p. 281



Model Selection

For Special Applications

Mark-free

For Film Adsorption

Multistage

Flat

Nozzle

Sponge

For Disk Adsorption

For Panel Holding

Ball Spine Buffer

Construction

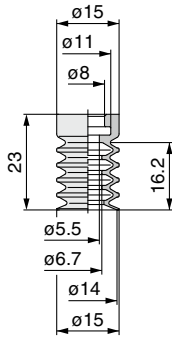
Mounting Bracket Assembly

Precautions

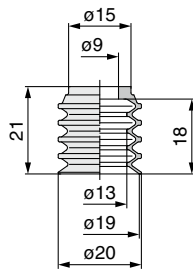
# Bellows Pad (4.5-Stage) **ZP2 Series**

## Dimensions: Pad Unit

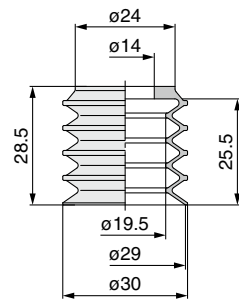
**ZP2-B15ZJ** □



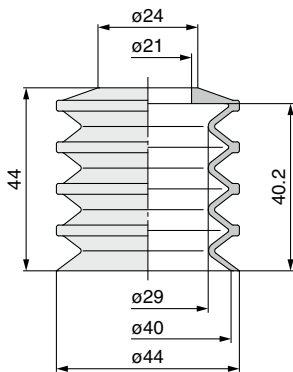
**ZP2-B20ZJ** □



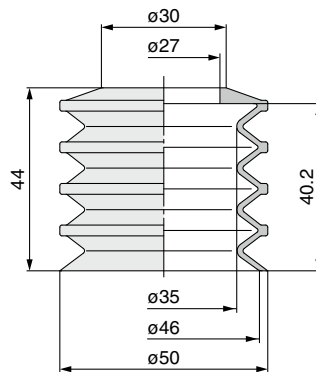
**ZP2-B30ZJ** □



**ZP2-40ZJ** □



**ZP2-46ZJ** □



Weight	[g]
ZP2-B15ZJ □	2.0
ZP2-B20ZJ □	2.0
ZP2-B30ZJ □	4.5
ZP2-40ZJN	16.0
ZP2-40ZJ □	15.0
ZP2-40ZJU	16.0
ZP2-40ZJF	25.0
ZP2-40ZJGN	16.0
ZP2-40ZJGS	16.0
ZP2-46ZJN	19.0
ZP2-46ZJ □	17.0
ZP2-46ZJU	19.0
ZP2-46ZJF	30.0
ZP2-46ZJGN	19.0
ZP2-46ZJGS	19.0

## How to Order

Vertical vacuum inlet with adapter

**ZP2 - T B15 ZJ S - A10 - 06**



**Pad diameter**

Symbol	Pad diameter
<b>B15</b>	φ15*1
<b>B20</b>	φ20*1
<b>B30</b>	φ30*1
<b>40</b>	φ40
<b>46</b>	φ46

\*1 Pad O.D.

**Pad form**

Symbol	Form
<b>ZJ</b>	Bellows type (4.5-stage)

**Pad material**

Symbol	Material	Applicable pad diameter						
		φ15	φ20	φ30	φ40	φ46		
<b>N</b>	NBR	—	—	—	●	●		
<b>U</b>	Urethane rubber	—	—	—	●	●		
<b>F</b>	FKM	—	—	—	●	●		
<b>GN</b>	Conductive NBR	—	—	—	●	●		
<b>GS</b>	Conductive silicone rubber (Black)	—	—	—	●	●		
<b>S</b>	Silicone rubber*1*2 (White)	Rubber hardness (Shore A: ±5°)	40	●	●	●	—	—
			50	—	—	—	●	●
<b>S6</b>	Silicone rubber*1*2 High-hardness type (White)	60	●	●	●	—	—	

\*1 Uses a material compliant with a dissolution test of the FDA (U.S. Food and Drug Administration) regulation 21CFR§177.2600 for "Rubber articles intended for repeated use."

\*2 Uses a material compliant with the standards for "Rubber apparatus (excluding baby drinking apparatus) and containers/packaging" (D3) (Partial revision: Japanese Ministry of Health, Labour, and Welfare Notification No. 595, 2012) in Section 3 "Apparatus and Containers/Packaging" of the Japan Food Sanitation Act, Article 18 "Specifications and Standards for Food and Food Additives, etc." (Japanese Ministry of Health and Welfare Notification No. 370, 1959)

**Vacuum inlet**

Symbol	Vacuum inlet	Connection thread					
		A10	A16	A20	A30	AL12	AL14
<b>Nil</b>	Short thread	●	●	●	●	—	—
<b>06</b>	One-touch fitting(φ6)	—	—	—	—	●	●

**Connection thread**

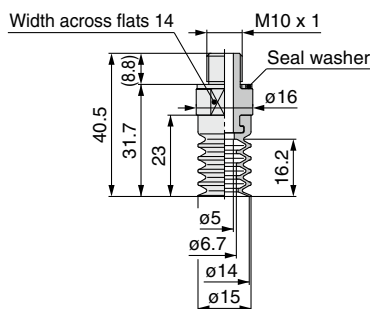
Type	Symbol	Size	φ15	φ20	φ30	φ40	φ46
Short thread	<b>A10</b>	M10 x 1	●	●	—	—	—
	<b>A16</b>	M16 x 1.5	—	—	●	—	—
	<b>A20</b>	M20 x 1.5	—	—	—	●	—
	<b>A30</b>	M30 x 1.5	—	—	—	—	●
One-touch fitting	<b>AL12</b>	M12 x 1	●	●	—	—	—
	<b>AL14</b>	M14 x 1	—	—	●	●	●

\* The pad is shipped together but does not come assembled.

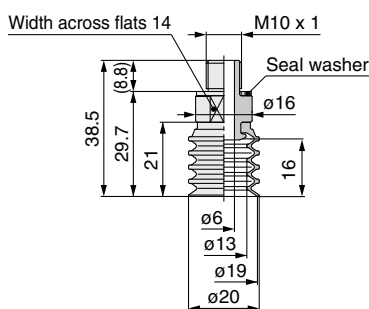
## Dimensions

### ■ Vacuum inlet: Short thread type

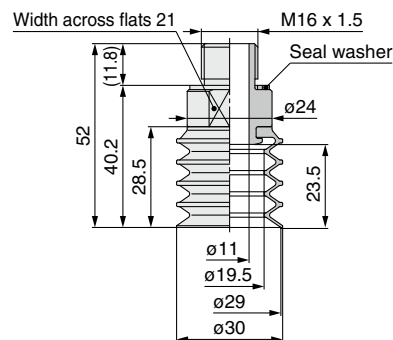
**ZP2-TB15ZJ□-A10**



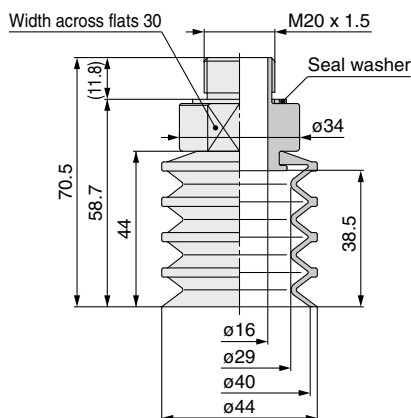
**ZP2-TB20ZJ□-A10**



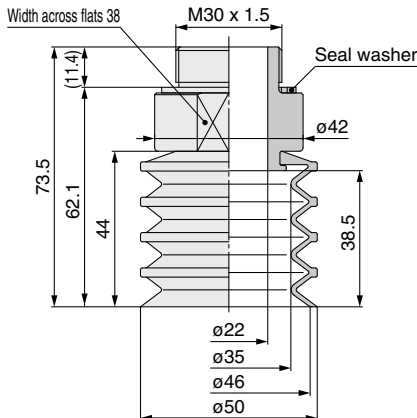
**ZP2-TB30ZJ□-A16**



**ZP2-T40ZJ□-A20**



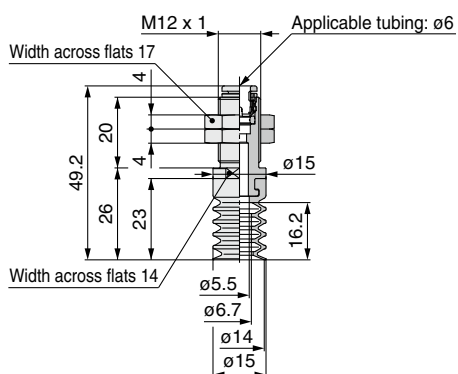
**ZP2-T46ZJ□-A30**



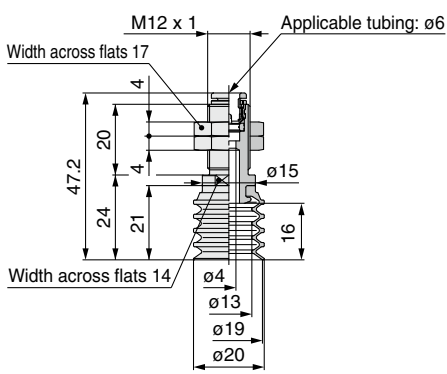
Weight	[g]
ZP2-TB15ZJ□-A10	9.0
ZP2-TB20ZJ□-A10	9.0
ZP2-TB30ZJ□-A16	20.5
ZP2-T40ZN-A20	51.0
ZP2-T40ZJ□-A20	50.0
ZP2-T40ZJU-A20	51.0
ZP2-T40ZJF-A20	60.0
ZP2-T40ZJGN-A20	51.0
ZP2-T40ZJGS-A20	51.0
ZP2-T46ZJN-A30	84.0
ZP2-T46ZJ□-A30	82.0
ZP2-T46ZJU-A30	84.0
ZP2-T46ZJF-A30	95.0
ZP2-T46ZJGN-A30	84.0
ZP2-T46ZJGS-A30	84.0

### ■ Vacuum inlet: One-touch fitting type

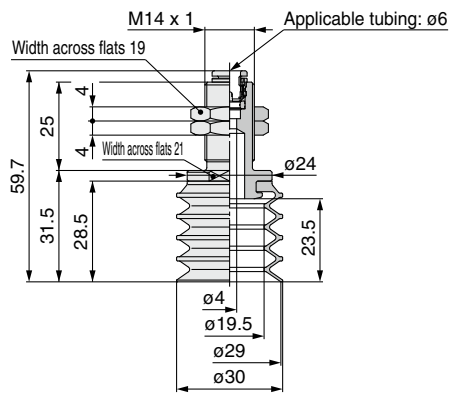
**ZP2-TB15ZJ□-AL12-06**



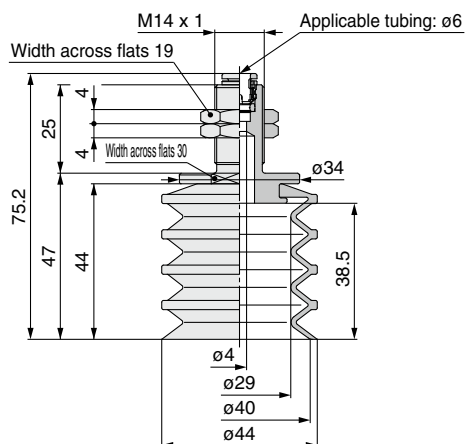
**ZP2-TB20ZJ□-AL12-06**



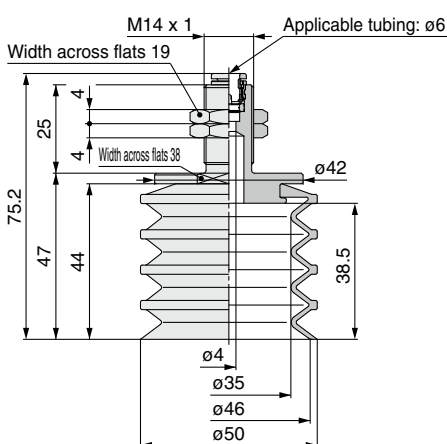
**ZP2-TB30ZJ□-AL14-06**



**ZP2-T40ZJ□-AL14-06**



**ZP2-T46ZJ□-AL14-06**



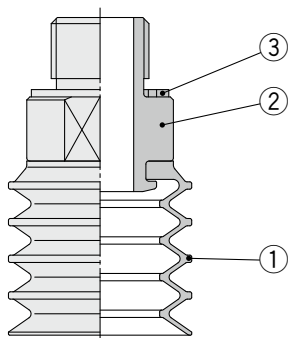
Weight	[g]
ZP2-TB15ZJ□-AL12-06	17.0
ZP2-TB20ZJ□-AL12-06	17.0
ZP2-TB30ZJ□-AL14-06	26.5
ZP2-T40ZJN-AL14-06	46.0
ZP2-T40ZJ□-AL14-06	45.0
ZP2-T40ZJU-AL14-06	46.0
ZP2-T40ZJF-AL14-06	55.0
ZP2-T40ZJGN-AL14-06	46.0
ZP2-T40ZJGS-AL14-06	46.0
ZP2-T46ZJN-AL14-06	56.0
ZP2-T46ZJ□-AL14-06	54.0
ZP2-T46ZJU-AL14-06	56.0
ZP2-T46ZJF-AL14-06	67.0
ZP2-T46ZJGN-AL14-06	56.0
ZP2-T46ZJGS-AL14-06	56.0

Model Selection  
 For Special Applications  
 Mark-free  
 For Film Adsorption  
 Multistage  
 Flat  
 Nozzle  
 Sponge  
 For Disk Adsorption  
 For Panel Holding  
 Ball Spine Buffer  
 Construction  
 Mounting Bracket Assembly  
 Precautions

# Bellows Pad (4.5-Stage) **ZP2 Series**

## Component Parts

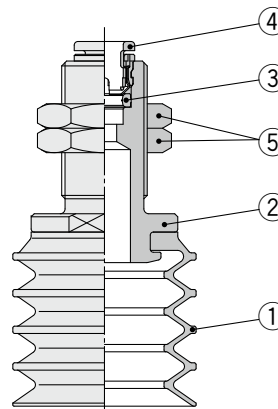
### ■ Short thread type (Pad with adapter)



#### Component Parts

No.	Description	Material (Surface treatment)
1	<b>Pad</b>	Refer to the pad material (page 276).
2	<b>Adapter</b>	Aluminum alloy (Anodized)
3	<b>Seal washer</b>	Structural steel/NBR

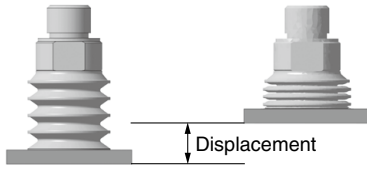
### ■ One-touch fitting type (Pad with adapter)



#### Component Parts

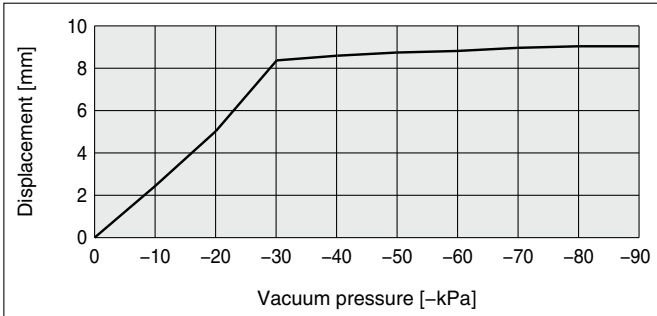
No.	Description	Material (Surface treatment)
1	<b>Pad</b>	Refer to the pad material (page 276).
2	<b>Adapter</b>	Aluminum alloy (Anodized)
3	<b>Seal</b>	NBR
4	<b>Cassette</b>	—
5	<b>Nut</b>	Steel (Zinc chromated)

## Pad Displacement to Vacuum Pressure (Pad material: Silicone rubber)

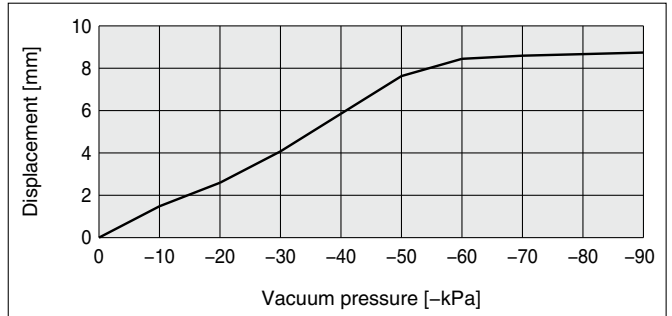


The data shown below are not guaranteed but actual measured (initial value). These values depend on the operating environment, workpiece weight and transfer method, so they cannot be guaranteed by SMC. Thorough research and confirmation are necessary before use.

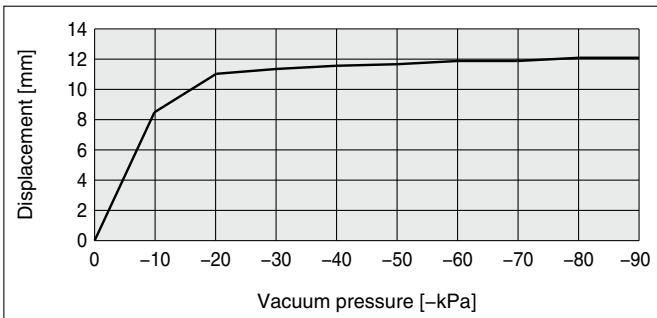
**ZP2-B15ZJS**



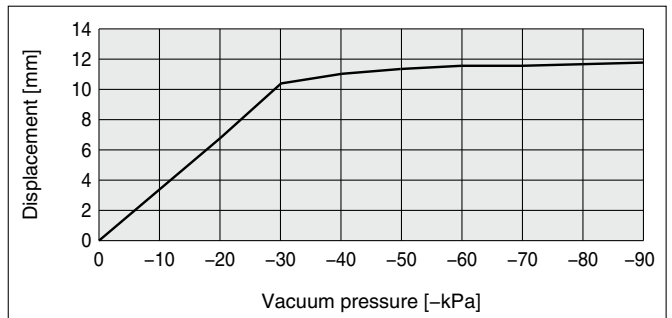
**ZP2-B15ZJS6**



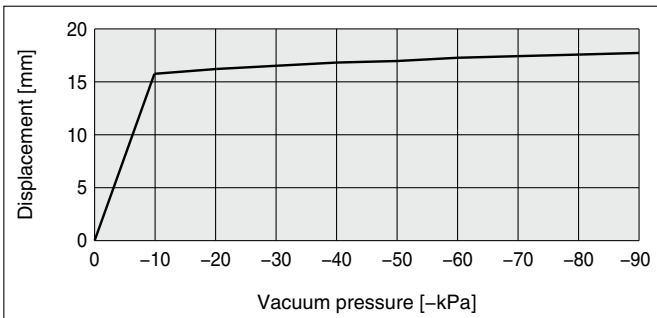
**ZP2-B20ZJS**



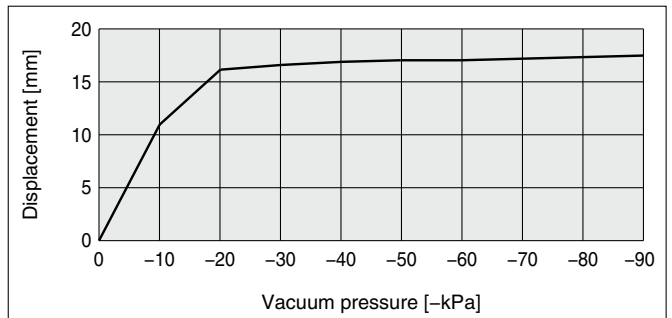
**ZP2-B20ZJS6**



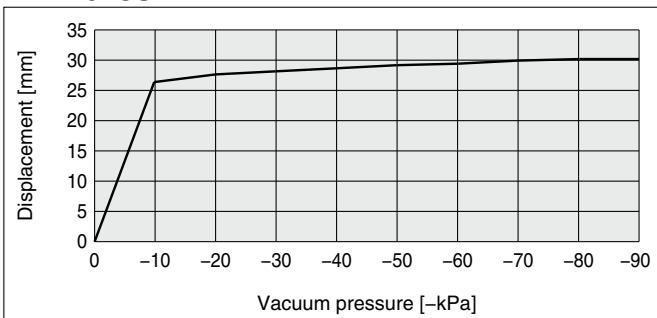
**ZP2-B30ZJS**



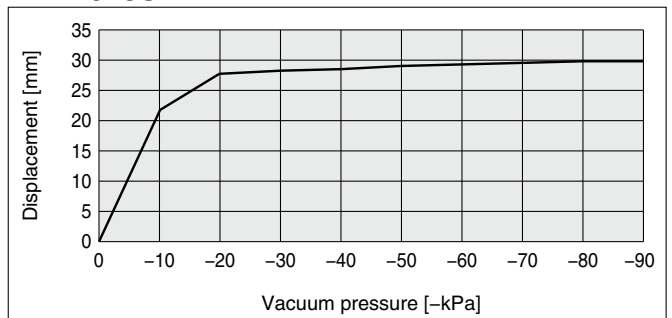
**ZP2-B30ZJS6**



**ZP2-40ZJS**



**ZP2-46ZJS**



Model Selection

For Special Applications

Mark-free

For Film Adsorption

Multistage

Flat

Nozzle

Sponge

For Disk Adsorption

For Panel Holding

Ball Spine Buffer

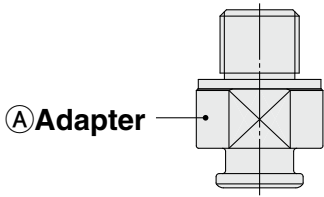
Construction

Mounting Bracket Assembly

Precautions

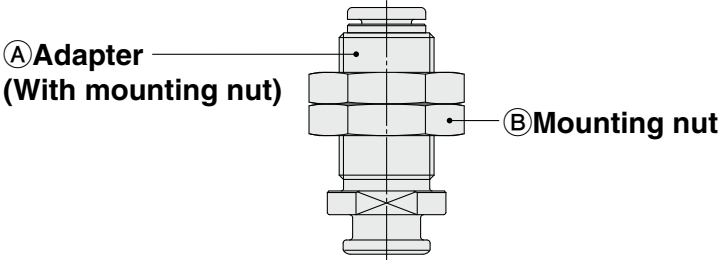
# Bellows Pad (4.5-Stage) *ZP2 Series* Mounting Bracket Assembly

## Adapter Assembly

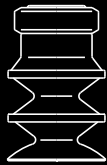
Product part no.	<p style="text-align: center;">ZP2 - T ① ZJ □ - ②</p> <p style="text-align: center;">             Pad diameter      Bellows type      Pad material      Connection thread (Male thread)         </p>
Component parts	 <p>Ⓐ Adapter</p>

		Symbol	① Pad diameter symbol						
			B15	B20	B30	40	46		
Ⓐ Adapter	② Connection thread Male thread (Short thread)	M10 x 1	A10	ZP2A-Z31-1P	ZP2A-Z31-2P	—			
		M16 x 1.5	A16	—		ZP2A-Z31-3P	—		
		M20 x 1.5	A20	—			ZP2A-Z31-4P	—	
		M30 x 1.5	A30	—				ZP2A-Z31-5P	

## Adapter Assembly

Product part no.	<p style="text-align: center;">ZP2 - T ① ZJ □ - ② ③</p> <p style="text-align: center;">             Pad diameter      Bellows type      Pad material      Vacuum inlet (One-touch fitting)      Connection thread (Male thread)         </p>
Component parts	 <p>Ⓐ Adapter (With mounting nut)</p> <p>Ⓑ Mounting nut</p>

		Symbol			Symbol	① Pad diameter symbol					
						B15	B20	B30	40	46	
Ⓐ Adapter	② Connection thread Male thread	M12 x 1	AL12	③ Vacuum inlet One-touch fitting	ø6	06	ZP2A-Z32-1	ZP2A-Z32-2	—		
		M14 x 1	AL14				—		ZP2A-Z32-3	ZP2A-Z32-4	ZP2A-Z32-5
Ⓑ Mounting nut (Single unit)				M12 x 1		ZPNA-M12C		—			
				M14 x 1		—		ZPNA-M14			



# Bellows Pad (2.5/3.5-Stage)

Symbol/Form

Pad diameter  $\phi 6, \phi 9, \phi 10, \phi 14, \phi 15, \phi 16, \phi 25, \phi 30$

J: Bellows type

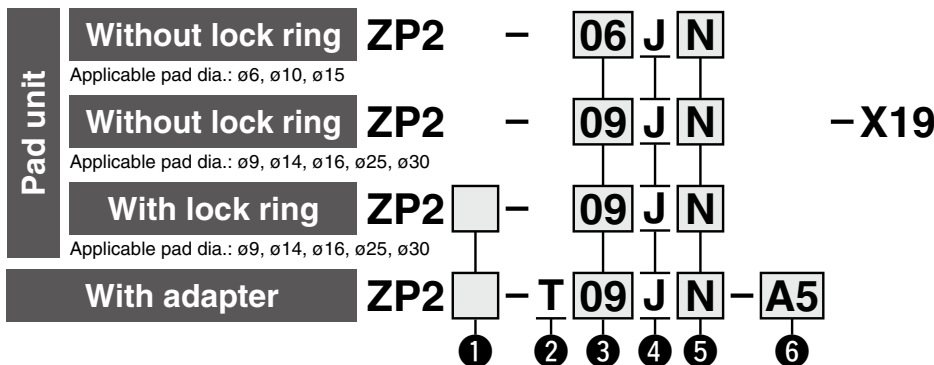
- For use where there is no space for a buffer (spring type)
- For workpieces with inclined adsorption surfaces



Mounting Bracket Part Nos.

Adapter Assembly p. 283 to 285

## How to Order



### 1 Adapter (Lock ring) material

Symbol	Material
Nil	Brass
S	Stainless steel (Stainless steel 304)

### 2 Vacuum inlet direction

Symbol	Vacuum inlet direction
T	Vertical

### 3 Pad diameter

Symbol	Pad diameter	Symbol	Pad diameter
06	$\phi 6$	B15	$\phi 15$
09	$\phi 9$	16	$\phi 16$
B10	$\phi 10$	B25	$\phi 25$
14	$\phi 14$	B30	$\phi 30$

### 4 Pad form

Symbol	Pad form
J	Multistage bellows

### 5 Pad material

Symbol	Material
N	NBR
S	Silicone rubber*1, *2
U	Urethane rubber
F	FKM
GN	Conductive NBR
GS	Conductive silicone rubber

\*1 Uses a material compliant with a dissolution test of the FDA (U.S. Food and Drug Administration) regulation 21CFR§177.2600 for "Rubber articles intended for repeated use."

\*2 Uses a material compliant with the standards for "Rubber apparatus (excluding baby drinking apparatus) and containers/packaging" (D3) (Partial revision: Japanese Ministry of Health, Labour, and Welfare Notification No. 595, 2012) in Section 3 "Apparatus and Containers/Packaging" of the Japan Food Sanitation Act, Article 18 "Specifications and Standards for Food and Food Additives, etc." (Japanese Ministry of Health and Welfare Notification No. 370, 1959)

### 6 Connection thread

Symbol	Thread size	Type	Mounting	Vacuum inlet	Applicable pad dia.			
					$\phi 6, \phi 10, \phi 15$	$\phi 9, \phi 14, \phi 16$	$\phi 25, \phi 30$	
A5	M5 x 0.8	Male thread	Direct mounting	Use the connection thread.	●	—	—	
AS5					●	—	●	
A6	●				—	—		
AS6	—				●	●		
AG01	G1/8		●	●	●			
A5	M5 x 0.8		Female thread	Plate mounting	M3 x 0.5	—	●	—
A6	M6 x 1					—	●	●
A8	M8 x 1					—	—	●
B4	M4 x 0.7	—				—	●	
B5	M5 x 0.8	Female thread	Direct mounting	Use the connection thread.	●	●	●	
B6	M6 x 1				—	●	●	
B8	M8 x 1.25				—	—	●	
BG01	G1/8				—	●	●	
B01	Rc1/8				—	●	●	
N01*3	NPT1/8				—	●	●	
T01*3	NPTF1/8				—	●	●	
					—	●	●	

\*3 Not compatible with stainless steel materials

### Lock ring unit

Part no.	Applicable pad dia.
ZP□L1	$\phi 9, \phi 14, \phi 16$
ZP□L2	$\phi 25, \phi 30$

□: Nil/Brass S/Stainless steel

Model Selection

For Special Applications

Mark-free

For Film Adsorption

Multistage

Flat

Nozzle

Sponge

For Disk Adsorption

For Panel Holding

Ball Spine Buffer

Construction

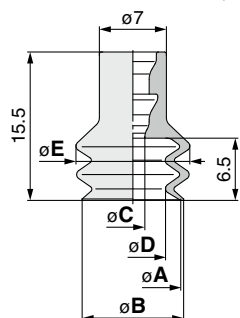
Mounting Bracket Assembly

Precautions

# Bellows Pad (2.5/3.5-Stage) Mounting Bracket Assembly **ZP2 Series**

## Dimensions/Models

### Single unit $\phi 6, \phi 10, \phi 15$



### ZP2 - **06** J **N**

① ②

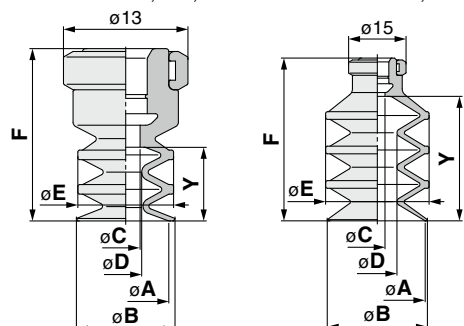
Model	① Pad diameter	Type	③ Material*1	A	B	C	D	E
				ZP2	06	J	N S U F GN GS	6
	B10	10	10.6	2.5	6.8			11.9
	B15	15	15.7		11.8			16.9

\*1 N: NBR, S: Silicone rubber, U: Urethane rubber, F: FKM, GN: Conductive NBR, GS: Conductive silicone rubber

### Single unit $\phi 9, \phi 14, \phi 16, \phi 25, \phi 30$

Pad diameter:  $\phi 9, \phi 14, \phi 16$

Pad diameter:  $\phi 25, \phi 30$



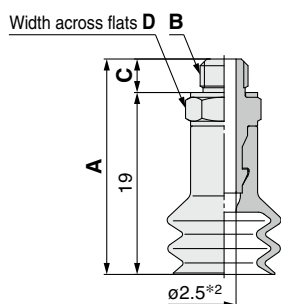
### ZP2 - **09** J **N**

① ② ③

Model	① Lock ring material	② Pad diameter	Type	③ Material*1	A	B	C	D	E	F	Y
					ZP2	Nil S	09	J	N S U F GN GS	9	10.3
	14	14	15.3	4.7	15		24			15	
	16	16	17.4	7.2	18						
	B25	25	26.2	10.2	27		42.5			32.5	
	B30	30	32.9	13.8	32		49			38	

\*1 N: NBR, S: Silicone rubber, U: Urethane rubber, F: FKM, GN: Conductive NBR, GS: Conductive silicone rubber

### Direct mounting with adapter (Male thread) $\phi 6, \phi 10, \phi 15$



### ZP2 - T **06** J **N** - **A5**

① ② ③ ④

① Adapter material		② Connection thread	
Nil	Brass	A5	M5 x 0.8
S	Stainless steel (Stainless steel 304)	A6	M6 x 1

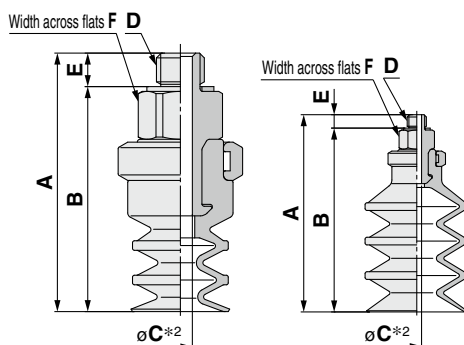
Model	① Adapter material	Vacuum inlet direction	② Pad diameter	Type	③ Material*1	④ Connection thread	A	B	C	D
							ZP2	Nil S	T	06 B10 B15
A6	23.5	M6 x 1	4.5	8						

\*1 N: NBR, S: Silicone rubber, U: Urethane rubber, F: FKM, GN: Conductive NBR, GS: Conductive silicone rubber  
\*2 Indicates the minimum hole size of the adapter or vacuum pad

### Direct mounting with adapter (Male thread) $\phi 9, \phi 14, \phi 16, \phi 25, \phi 30$

Pad diameter:  $\phi 9, \phi 14, \phi 16$

Pad diameter:  $\phi 25, \phi 30$



### ZP2 - T **09** J **N** - **AS5**

① ② ③ ④

① Adapter material		② Connection thread	
Nil	Brass	AS5	M5 x 0.8
S	Stainless steel (Stainless steel 304)	AS6	M6 x 1
		AG01	G1/8

Model	① Adapter material	Vacuum inlet direction	② Pad diameter	Type	③ Material*1	④ Connection thread	A	B	C*2	D	E	F
							ZP2	Nil S	T	09	J	N S U F GN GS
	14	33	29.5									
	16	51.5	48									
	B25	58	54.5									
	B30	28	23.5									
	09	AS6	34	29.5	2.5	M6 x 1	4.5			8		
	14		52.5	48								
	16		59	54.5								
	B25		36	30.5								
	B30		42	36.5								
	09	AG01	60.5	55	2.5	G1/8	5.5			17		
	14		67	61.5								
	16											

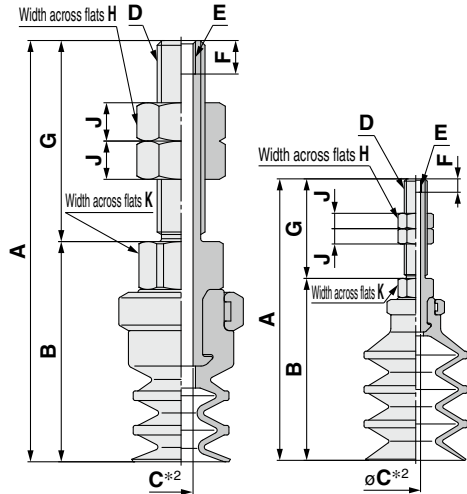
\*1 N: NBR, S: Silicone rubber, U: Urethane rubber, F: FKM, GN: Conductive NBR, GS: Conductive silicone rubber  
\*2 Indicates the minimum hole size of the adapter or vacuum pad



**Dimensions/Models**

**Plate mounting with adapter (Male thread)  $\phi 9, \phi 14, \phi 16, \phi 25, \phi 30$**

Pad diameter:  $\phi 9, \phi 14, \phi 16$  Pad diameter:  $\phi 25, \phi 30$



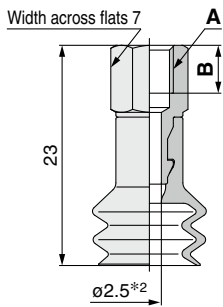
**ZP2** 1 - T 09 J N - A5 4

<b>1 Adapter material</b>		<b>2 Connection thread</b>	
Nil	Brass	<b>A5</b>	M5 x 0.8
S	Stainless steel (Stainless steel 304)	<b>A6</b>	M6 x 1
		<b>A8</b>	M8 x 1

Model					A	B	C*2	D	E	F	G	H	J	K				
1 Adapter material	Vacuum inlet direction	2 Pad diameter	Type	3 Material*1	4 Connection thread													
ZP2	Nil	S	T	J	N	A5	2.5	M5 x 0.8	M3 x 0.5	3.5	21	8	4	8				
															09	44	23	
															14	50	29	
															16	49	23	
															09	49	23	
															14	55	29	
	16	55	29															
	S	T	J		N	S	A6	2.5	M6 x 1	M3 x 0.5	3.5	26	8	4	8			
																B25	73.5	47.5
																B30	80	54
																B25	68.5	52.5
																B30	75	59
B30				75												59		
S	T	J	N	GS	A8	4	M8 x 1	M5 x 0.8	5	16	12	4	12					
														B25	68.5	52.5		
														B30	75	59		
														B25	68.5	52.5		
														B30	75	59		
														B30	75	59		

\*1 N: NBR, S: Silicone rubber, U: Urethane rubber, F: FKM, GN: Conductive NBR, GS: Conductive silicone rubber  
\*2 Indicates the minimum hole size of the adapter or vacuum pad

**Direct mounting with adapter (Female thread)  $\phi 6, \phi 10, \phi 15$**



**ZP2** 1 - T 06 J N - B4 4

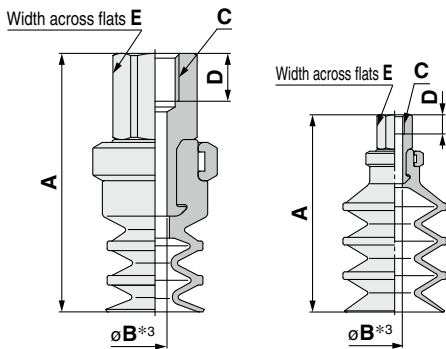
<b>1 Adapter material</b>		<b>2 Connection thread</b>	
Nil	Brass	<b>B4</b>	M4 x 0.7
S	Stainless steel (Stainless steel 304)	<b>B5</b>	M5 x 0.8

Model						A	B	
1 Adapter material	Vacuum inlet direction	2 Pad diameter	Type	3 Material*1	4 Connection thread			
ZP2	Nil	S	T	J	N	B4	M4 x 0.7	
							06	4
							B10	
							B15	
							B10	M5 x 0.8
							B15	5

\*1 N: NBR, S: Silicone rubber, U: Urethane rubber, F: FKM, GN: Conductive NBR, GS: Conductive silicone rubber  
\*2 Indicates the minimum hole size of the adapter or vacuum pad

**Direct mounting with adapter (Female thread)  $\phi 9, \phi 14, \phi 16, \phi 25, \phi 30$**

Pad diameter:  $\phi 9, \phi 14, \phi 16$  Pad diameter:  $\phi 25, \phi 30$



**ZP2** 1 - T 09 J N - B5 4

<b>1 Adapter material</b>		<b>2 Connection thread</b>	
Nil	Brass	<b>B5</b>	M5 x 0.8
S	Stainless steel (Stainless steel 304)	<b>B6</b>	M6 x 1
		<b>BG01</b>	G1/8

\*1 Not compatible with stainless steel materials

Model						A	B*3	C	D	E			
1 Adapter material	Vacuum inlet direction	2 Pad diameter	Type	3 Material*2	4 Connection thread								
ZP2	Nil	S	T	J	N	B5	2.5	M5 x 0.8	5	8			
											09	27	
											14	33	
											16	33	
											B25	51.5	
											B30	58	
							B6	2.5	M6 x 1	6	8		
												09	27
												14	33
												16	33
												B25	51.5
												B30	58
						B8	3.5	M8 x 1.25	8	12			
											09	57.5	
											14	64	
											16	64	
											B25	64	
											B30	64	
						BG01	2.5	G1/8	7.4	14			
											09	33	
											14	39	
											16	39	
											B25	57.5	
											B30	64	
						B01	2.5	Rc1/8	—	12			
											09	33	
											14	39	
											16	39	
											B25	57.5	
											B30	64	
N01	3.5	NPTF1/8	—	12									
					09	33							
					14	39							
					16	39							
					B25	57.5							
					B30	64							

\*2 N: NBR, S: Silicone rubber, U: Urethane rubber, F: FKM, GN: Conductive NBR, GS: Conductive silicone rubber  
\*3 Indicates the minimum hole size of the adapter or vacuum pad \*4 Not compatible with stainless steel materials

Model Selection

For Special Applications

Mark-free

For Film Adsorption

Multistage

Flat

Nozzle

Sponge

For Disk Adsorption

For Panel Holding

Ball Spine Buffer

Construction

Mounting Bracket Assembly

Precautions

# Bellows Pad (2.5/3.5-Stage) ZP2 Series

## Mounting Bracket Assembly

### Adapter Assembly

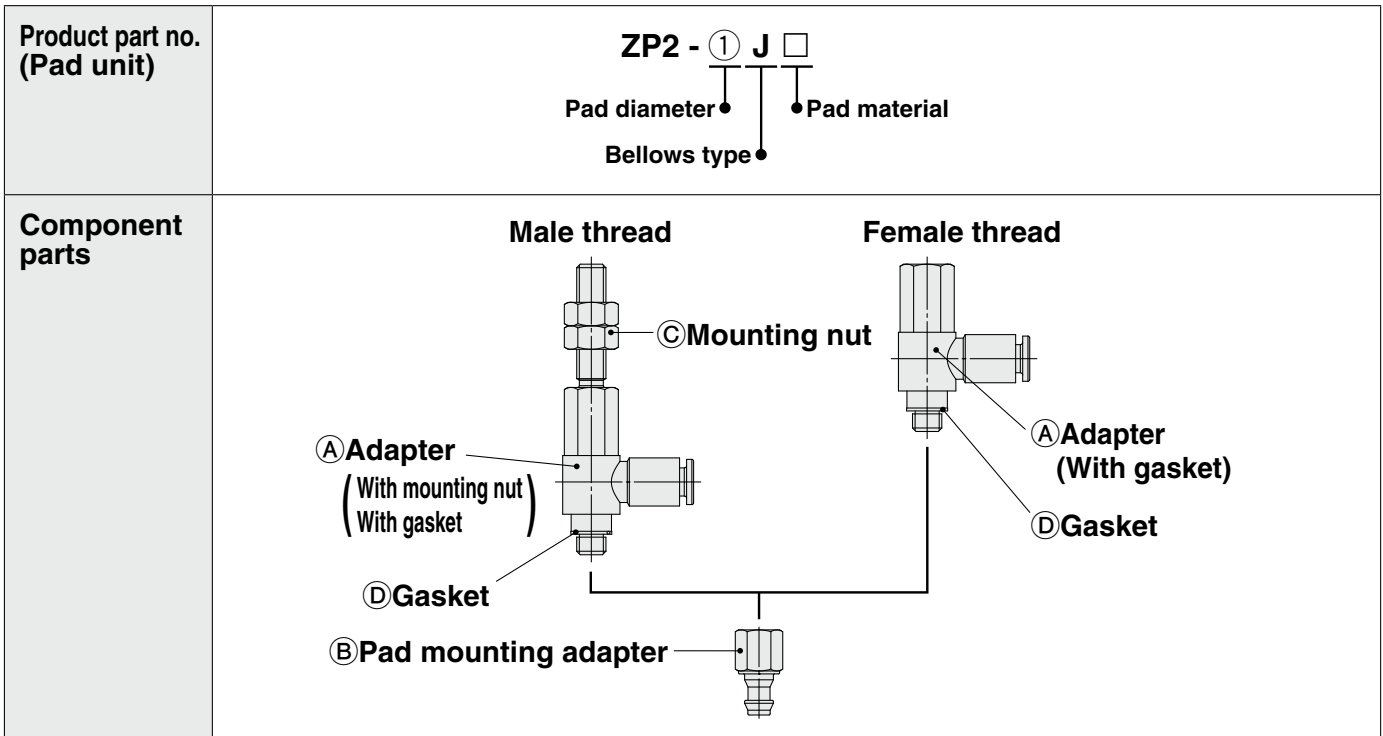
Product part no.	<p style="text-align: center;">ZP2 □ - T ① J □ - □</p> <p style="text-align: center;">Adapter material (Brass/Stainless steel)      Pad diameter      Pad form      Pad material      Connection thread (Male/Female thread)</p>		
Component parts	<p>③ Gasket      Male thread</p> <p>① Adapter (With gasket)</p> <p style="text-align: center;">ZP□T1-A□ MS-5AU-6-X112 ZP□T(2, 3)-AS□</p> <p>① Adapter (With O-ring)</p> <p style="text-align: center;">ZP□T(2, 3)-AG□</p>	<p>Male thread</p> <p>② Mounting nut</p> <p>① Adapter (With mounting nut)</p> <p style="text-align: center;">ZP□T(2, 3)-A□</p>	<p>Female thread</p> <p>① Adapter</p> <p style="text-align: center;">ZP□T(1, 2, 3)-B□/ N01/T01</p>

						① Pad diameter symbol									
						06	B10	B15	09	14	16	B25	B30		
① Adapter	Connection thread	Male thread	Adapter material	Brass	M5 x 0.8	Male thread	Use the connection thread.	ZPT1-A5		ZPT2-AS5		ZPT3-AS5			
				Stainless steel				MS-5AU-6-X112		ZPST2-AS5		ZPST3-AS5			
			M6 x 1		ZP□T1-A6*1			ZP□T2-AS6*1		ZP□T3-AS6*1					
			G1/8		—			ZP□T2-AG01*1		ZP□T3-AG01*1					
			M5 x 0.8		—			ZP□T2-A5*1		—					
			M6 x 1		—			ZP□T2-A6*1		ZP□T3-A6*1					
			M8 x 1		—			—		ZP□T3-A8*1					
	Female thread	Vacuum inlet	Female thread	Adapter material	M5 x 0.8	Female thread	Use the connection thread.	ZP□T1-B4*1		—		—			
								ZP□T1-B5*1		ZP□T2-B5*1		ZP□T3-B5*1			
								—		ZP□T2-B6*1		ZP□T3-B6*1			
								—		—		ZP□T3-B8*1			
								—		ZP□T2-B01*1		ZP□T3-B01*1			
								—		ZPT2-N01		ZPT3-N01			
								—		ZPT2-T01		ZPT3-T01			
② Mounting nut (Single unit)	Adapter Material		Adapter Material	M5 x 0.8	Female thread		—		NTJ-015C		—				
							Brass	M6 x 1		—		SNJ-006C			
								M8 x 1		—		RB08J			
								M5 x 0.8		—		ZPNA-M6			
							Stainless steel	M6 x 1		—		ZPNA-M6			
M8 x 1		—		ZPNA-M6											
③ Gasket (Single unit)	Adapter Material		Adapter Material	M5 x 0.8	Female thread		10 pcs.*2		ZP-5G2						
							Brass	100 pcs.*2		M-5G2					
								For M6 x 1	10 pcs.*2		ZP-6G2				
							100 pcs.*2		M-6G						
							Stainless steel	For M5 x 0.8		10 pcs.*2		M-5G3			
								For M6 x 1		1 pc.*2		M-6G-X34			

\*1 The adapter material symbol goes into the blank "□." (Nil: Brass, S: Stainless steel 304)

\*2 The gasket (single unit) sales unit is shown.

**Adapter Assembly: With One-touch Fitting**

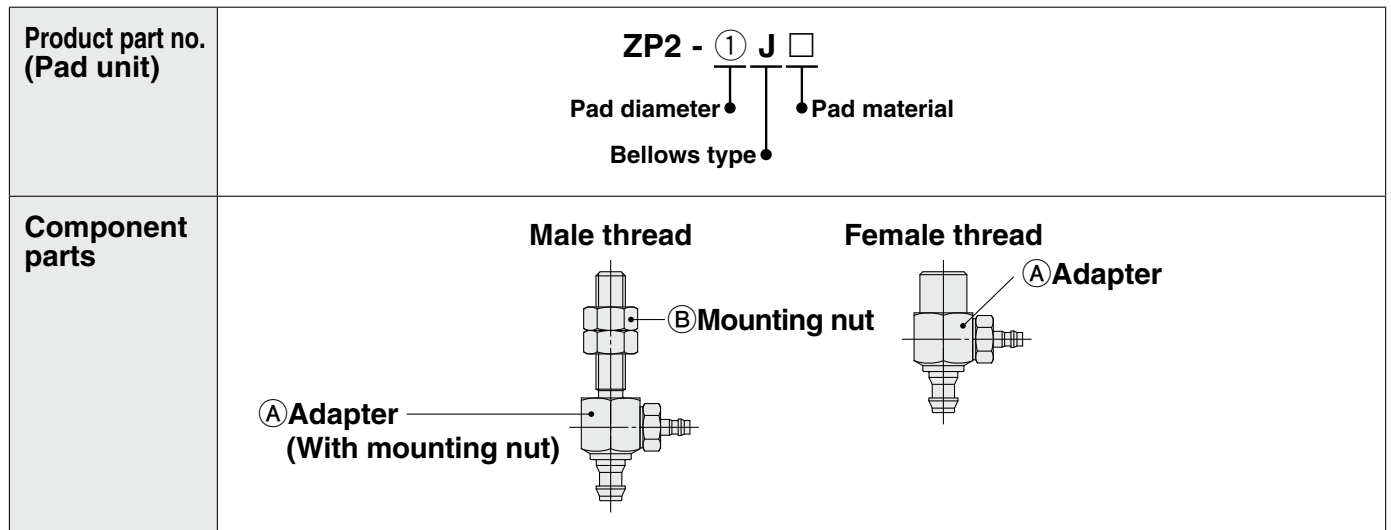


		① Pad diameter symbol								
		06	B10	B15	09	14	16	B25	B30	
① Adapter	Vacuum inlet	Connection thread	Male thread	M5 x 0.8	ZPRS-04-A5		ZPRS-04-A5			
				M6 x 1	ZPRS-04-A6		ZPRS-04-A6	ZPRL-04-A6		
				M8 x 1	—		—	ZPRL-04-A8		
			Female thread	M4 x 0.7	ZPRS-04-B4		—			
				M5 x 0.8	ZPRS-04-B5		ZPRS-04-B5	ZPRL-04-B5		
				M6 x 1	—		ZPRS-04-B6	ZPRL-04-B6		
	06	Connection thread	Male thread	M5 x 0.8	ZPRS-06-A5		ZPRS-06-A5			
				M6 x 1	ZPRS-06-A6		ZPRS-06-A6	ZPRL-06-A6		
				M8 x 1	—		—	ZPRL-06-A8		
			Female thread	M4 x 0.7	ZPRS-06-B4		—			
				M5 x 0.8	ZPRS-06-B5		ZPRS-06-B5	ZPRL-06-B5		
				M6 x 1	—		ZPRS-06-B6	ZPRL-06-B6		
	08	Connection thread	Male thread	M5 x 0.8	—		—			
				M6 x 1	—		—	ZPRL-08-A6		
				M8 x 1	—		—	ZPRL-08-A8		
			Female thread	M5 x 0.8	—		—		ZPRL-08-B5	
				M6 x 1	—		—		ZPRL-08-B6	
				M8 x 1.25	—		—		ZPRL-08-B8	
	② Pad mounting adapter			ZPT1-B5		ZPT2-B5		ZPT3-B8		
	③ Mounting nut (Single unit)	M5 x 0.8	NTJ-015C		NTJ-015C		—			
		M6 x 1	SNJ-006C		SNJ-006C		SNJ-006C			
		M8 x 1	—		—		RB08J			
	④ Gasket (Single unit)	10 pcs.*1	ZP-5G2		ZP-5G2		ZP-8G2			
		100 pcs.*1	M-5G2		M-5G2		—			

\*1 The gasket (single unit) sales unit is shown.

Bellows Pad (2.5/3.5-Stage)  
Mounting Bracket Assembly **ZP2 Series**

**Adapter Assembly: With Barb Fitting**



						① Pad diameter symbol								
						06	B10	B15	09	14	16	B25	B30	
<b>① Adapter</b>	Vacuum inlet	For nylon tubing	Male thread	M5 x 0.8	ZPY1-N4-A5		ZPY2-N4-A5							
				M6 x 1	ZPY1-N4-A6		ZPY2-N4-A6			ZPY3-N4-A6				
				M8 x 1	—		—		ZPY3-N4-A8					
				M4 x 0.7	ZPY1-N4-B4		—		—					
			Female thread	M5 x 0.8	ZPY1-N4-B5		ZPY2-N4-B5		ZPY3-N4-B5					
				M6 x 1	—		ZPY2-N4-B6		ZPY3-N4-B6					
				M8 x 1.25	—		—		ZPY3-N4-B8					
				M5 x 0.8	ZPY1-N6-A5		ZPY2-N6-A5		—					
		Connection thread	Male thread	M6 x 1	ZPY1-N6-A6		ZPY2-N6-A6		ZPY3-N6-A6					
				M8 x 1	—		—		ZPY3-N6-A8					
				M4 x 0.7	ZPY1-N6-B4		—		—					
				M5 x 0.8	ZPY1-N6-B5		ZPY2-N6-B5		ZPY3-N6-B5					
			Female thread	M6 x 1	—		ZPY2-N6-B6		ZPY3-N6-B6					
				M8 x 1.25	—		—		ZPY3-N6-B8					
				M5 x 0.8	ZPY1-U4-A5		ZPY2-U4-A5		—					
				M6 x 1	ZPY1-U4-A6		ZPY2-U4-A6		ZPY3-U4-A6					
	For soft tubing	Male thread	M8 x 1	—		—		ZPY3-U4-A8						
			M4 x 0.7	ZPY1-U4-B4		—		—						
			M5 x 0.8	ZPY1-U4-B5		ZPY2-U4-B5		ZPY3-U4-B5						
			M6 x 1	—		ZPY2-U4-B6		ZPY3-U4-B6						
			M8 x 1.25	—		—		ZPY3-U4-B8						
			M5 x 0.8	ZPY1-U6-A5		ZPY2-U6-A5		—						
		Female thread	M6 x 1	ZPY1-U6-A6		ZPY2-U6-A6		ZPY3-U6-A6						
			M8 x 1	—		—		ZPY3-U6-A8						
			M4 x 0.7	ZPY1-U6-B4		—		—						
			M5 x 0.8	ZPY1-U6-B5		ZPY2-U6-B5		ZPY3-U6-B5						
			M6 x 1	—		ZPY2-U6-B6		ZPY3-U6-B6						
			M8 x 1.25	—		—		ZPY3-U6-B8						
<b>② Mounting nut (Single unit)</b>	M5 x 0.8	NTJ-015C		NTJ-015C		—								
	M6 x 1	SNJ-006C		SNJ-006C		SNJ-006C								
	M8 x 1	—		—		RB08J								