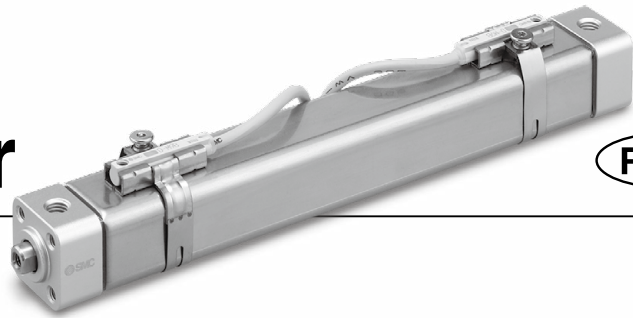


Square Shape Compact Cylinder

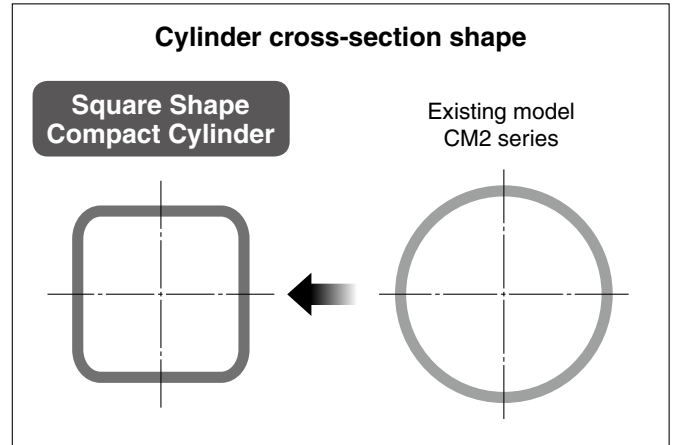


RoHS

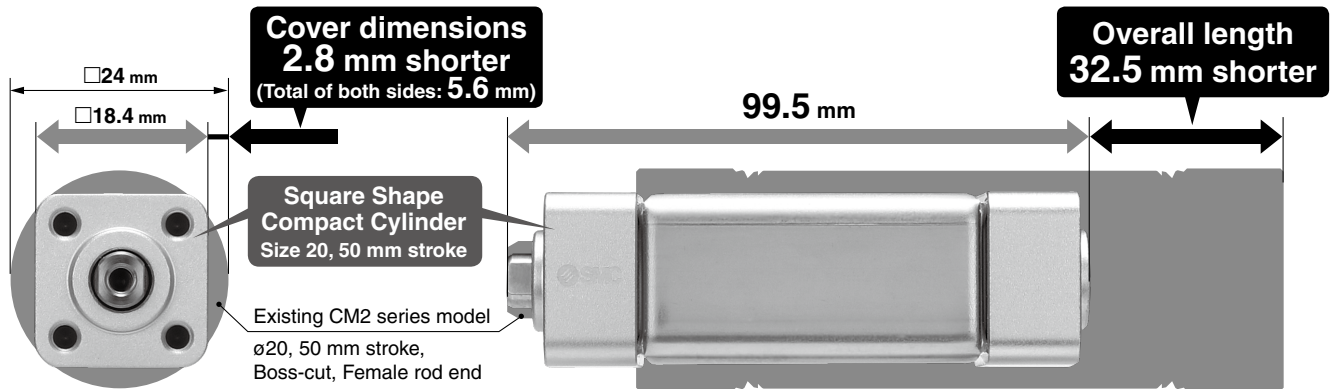
Size 20

Now, more compact and lightweight due to the adoption of a square shape piston!

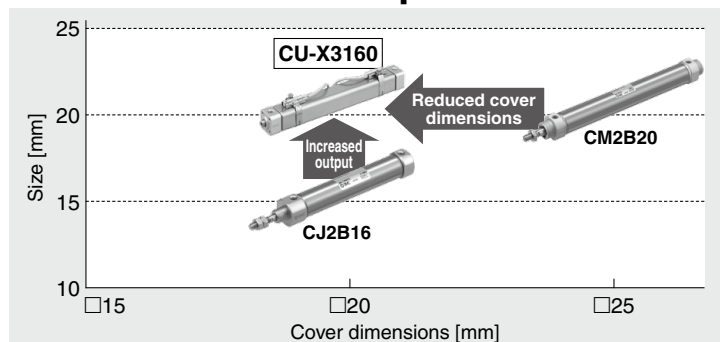
Weight	59% reduction 170 g → 70 g
Overall length	25% reduction 132 mm → 99.5 mm
Width Height	23% reduction 24 mm → 18.4 mm



* Compared with the existing CM2 series model, ø20, 50 mm stroke, Boss-cut, Female rod end

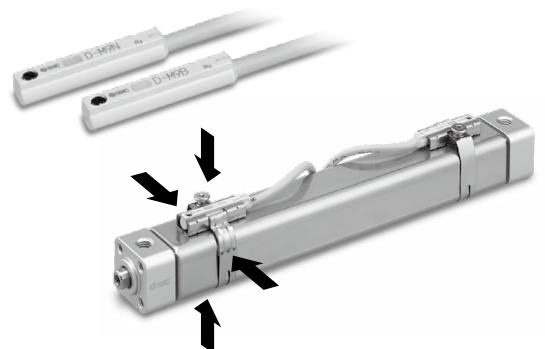


■ Reduced cover dimensions (1 size smaller than the existing model) but with increased output



■ Small auto switches can be mounted on 4 surfaces.

Applicable auto switch: D-M9□



CU-X3160



CU-X3160

Specifications

Size	20 (Equiv. ø20 piston area)
Action	Double acting, Single rod
Fluid	Air
Proof pressure	1.0 MPa
Max. operating pressure	0.7 MPa
Min. operating pressure	0.05 MPa
Ambient and fluid temperatures	Without auto switch: 5 to 70°C With auto switch : 5 to 60°C (No freezing)
Lubrication	Not required (Non-lube)
Piston speed	50 to 500 mm/s
Stroke length tolerance	$\begin{matrix} +2.0 \\ 0 \end{matrix} *1$
Cushion	Rubber bumper
Allowable kinetic energy	0.11 J
Port size	M5
Mounting	Basic (Female threads on both covers)

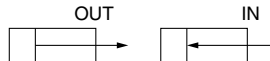
*1 Stroke length tolerance does not include the amount of bumper change.

Depending on the system configuration selected, the specified speed may not be satisfied.

Standard Strokes

Size	Standard stroke [mm]
20	25, 50, 75, 100, 125, 150

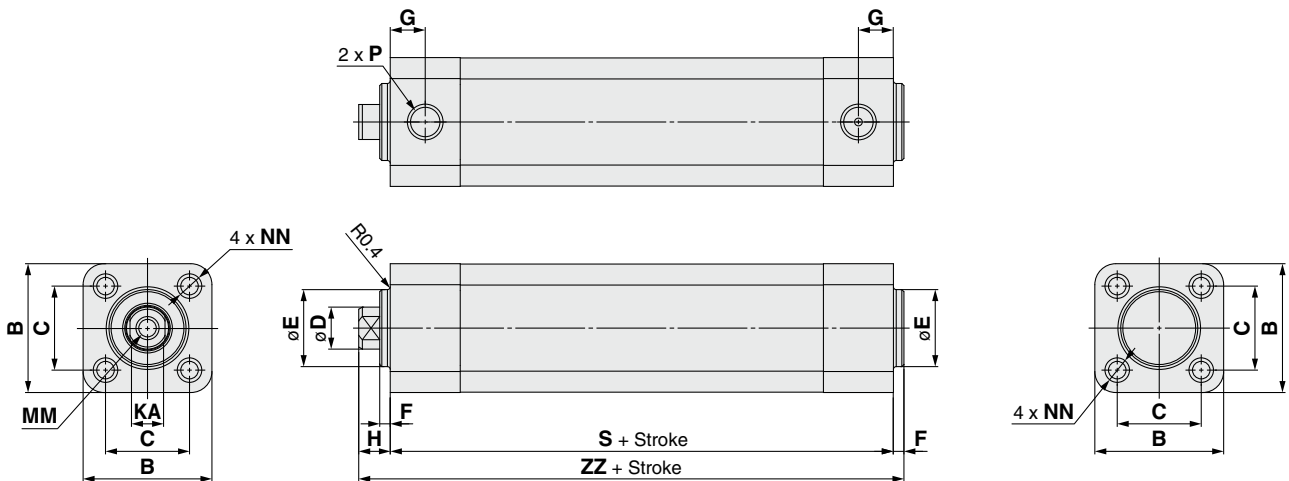
Theoretical Output



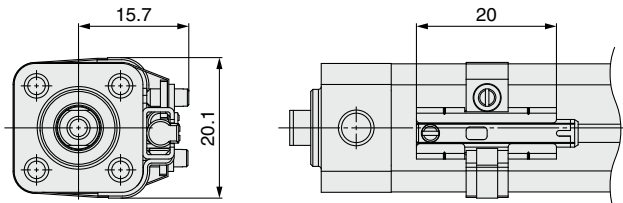
Size	Rod operating direction	Piston area [mm ²]	Operating air pressure [MPa]					
			0.2	0.3	0.4	0.5	0.6	0.7
20	IN	257	51	77	103	128	154	179
	OUT	285	57	85	114	142	171	199

* Theoretical output [N] = Pressure [MPa] x Piston area [mm²]

Dimensions



Auto switch bracket dimensions



Size	B	C	D	E	F	G	H	KA	NN	MM	P	S	ZZ
20	18.4	12	6	11	1.5	5	4.5	5	M3 x 0.5 depth 5	M3 x 0.5 depth 6	M5 x 0.8	43.5	49.5

⚠ Safety Instructions Be sure to read the "Handling Precautions for SMC Products" (M-E03-3) and the "CM2 Series Specific Product Precautions" before use.

SMC Corporation

Akihabara UDX 15F,
4-14-1, Sotokanda, Chiyoda-ku, Tokyo 101-0021, JAPAN
Phone: 03-5207-8249 Fax: 03-5298-5362
<https://www.smcworld.com>
© 2019 SMC Corporation All Rights Reserved

Specifications are subject to change without prior notice and any obligation on the part of the manufacturer.