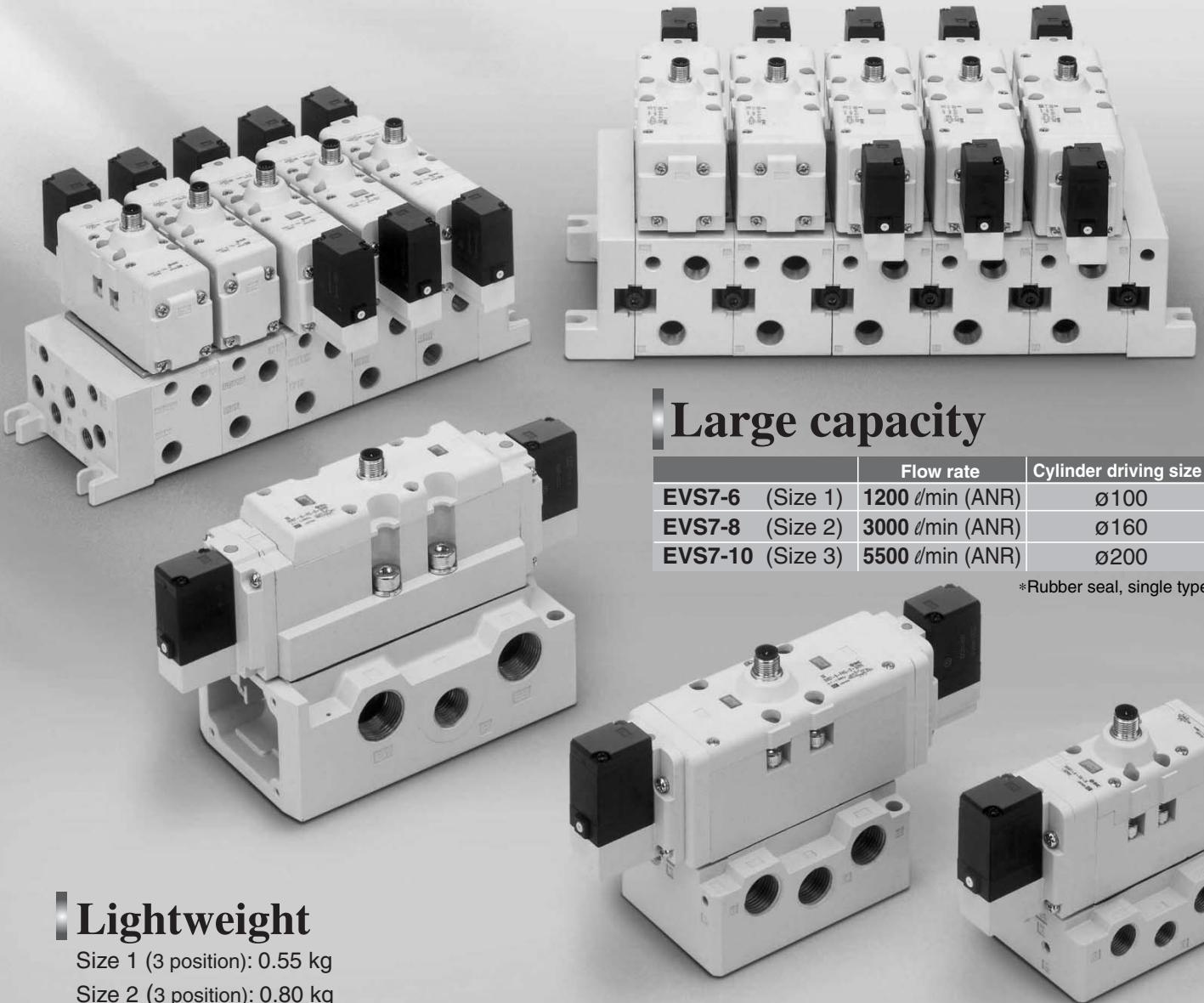


Conforming to ISO Standard Solenoid Valve (with M12 Connector) Series *EVS7-6/7-8/7-10*

(Size 1) (Size 2) (Size 3)



- VK
- VZ
- VF
- VFR
- VP4
- VZS
- VFS
- VS4
- VQ7
- EVS
- VFN

Large capacity

	Flow rate	Cylinder driving size
EVS7-6 (Size 1)	1200 ℓ /min (ANR)	\varnothing 100
EVS7-8 (Size 2)	3000 ℓ /min (ANR)	\varnothing 160
EVS7-10 (Size 3)	5500 ℓ /min (ANR)	\varnothing 200

*Rubber seal, single type

Lightweight

Size 1 (3 position): 0.55 kg
 Size 2 (3 position): 0.80 kg
 Size 3 (3 position): 1.13 kg

Interface conforms to ISO standard

Size 1 (**EVS7-6**), Size 2 (**EVS7-8**), and Size 3 (**EVS7-10**)
 Conform to ISO5599/1

Reduced installation space

Up to 7% reduction in square area installation (compared to Series EVS7)
 Up to 35% reduction in cubic area installation (for Cnomo)

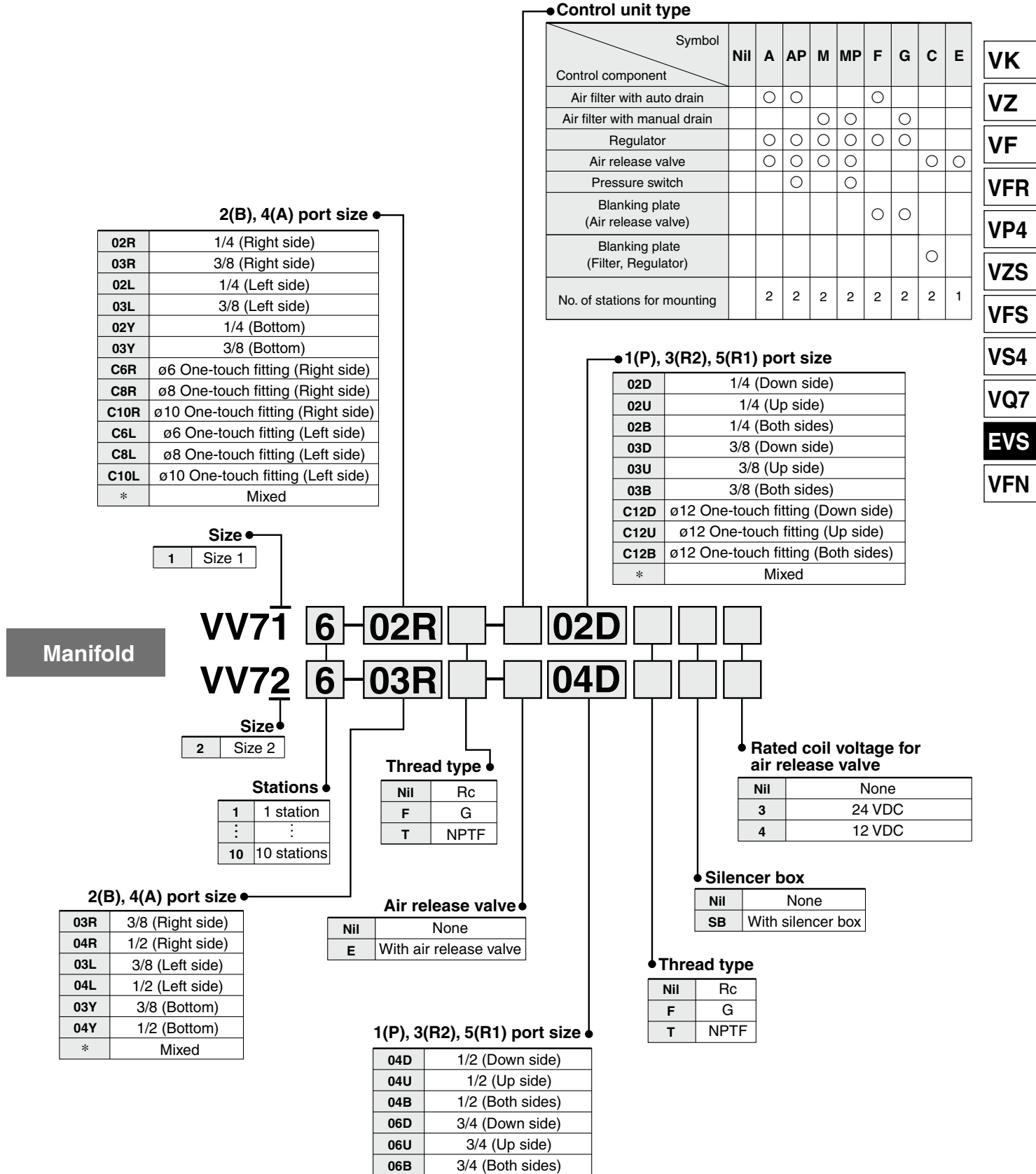
Accommodates enclosure IP65

Dust/Splashproof type

Wide variety of manifold option

Manifold Specifications

How to Order



Series EVS7-□

Model

Series EVS7-6



Positions			Bore size	Flow characteristics					
				1 → 4, 2 (P → A, B)			4, 2 → 5, 3 (A, B → EA, EB)		
2 position	Single	Metal seal	1/4	C	b	Cv	C	b	Cv
		Double		Rubber seal	4.1	0.10	0.9	5.2	0.07
Metal seal	5.0			0.13	1.1	6.0	0.11	1.4	
3 position	Closed center	Rubber seal		4.1	0.10	0.9	5.2	0.07	1.1
		Metal seal		5.0	0.13	1.1	6.0	0.11	1.4
	Exhaust center	Rubber seal		4.1	0.10	0.9	5.2	0.10	1.1
		Metal seal		4.8	0.16	1.1	6.0	0.17	1.4
	Pressure center	Rubber seal		4.1	0.10	0.9	5.2	0.08	1.1
		Metal seal		5.6	0.15	1.2	5.9	0.08	1.3
	Perfect type	Rubber seal		1.4	—	—	3.1	—	—
		Metal seal		1.4	—	—	3.1	—	—

Series EVS7-8



Positions			Bore size	Flow characteristics					
				1 → 4, 2 (P → A, B)			4, 2 → 5, 3 (A, B → EA, EB)		
2 position	Single	Metal seal	3/8	C	b	Cv	C	b	Cv
		Double		Rubber seal	10	0.18	2.4	12	0.24
Metal seal	12			0.24	3.0	13	0.27	3.3	
3 position	Closed center	Rubber seal		10	0.18	2.4	12	0.24	3.0
		Metal seal		12	0.24	3.0	13	0.27	3.3
	Exhaust center	Rubber seal		10	0.28	2.4	10	0.24	2.4
		Metal seal		11	0.25	2.8	11	0.27	2.8
	Pressure center	Rubber seal		10	0.16	2.4	10	0.20	2.4
		Metal seal		11	0.26	2.8	13	0.27	3.3
	Perfect type	Rubber seal		10	0.26	2.4	11	0.25	2.8
		Metal seal		13	0.27	3.3	12	0.29	3.0
Perfect type	Rubber seal	7.2		—	—	7.0	—	—	
	Metal seal	7.2	—	—	7.0	—	—		

Series EVS7-10

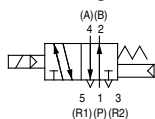


Positions			Bore size	Flow characteristics					
				1 → 4, 2 (P → A, B)			4, 2 → 5, 3 (A, B → EA, EB)		
2 position	Single	Metal seal	1/2	C	b	Cv	C	b	Cv
		Double		Rubber seal	13	0.10	3.0	18	0.10
Metal seal	16			0.20	4.0	18	0.20	4.4	
3 position	Closed center	Rubber seal		13	0.10	3.0	18	0.10	4.0
		Metal seal		16	0.20	4.0	18	0.20	4.4
	Exhaust center	Rubber seal		13	0.10	3.0	18	0.10	4.0
		Metal seal		15	0.20	3.5	15	0.20	3.7
	Pressure center	Rubber seal		13	0.10	3.0	18	0.10	4.0
		Metal seal		16	0.20	4.0	16	0.20	4.0
	Perfect type	Rubber seal		13	0.10	3.0	18	0.10	4.0
		Metal seal		15	0.20	3.8	19	0.10	4.4

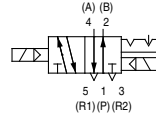
Standard Specifications

JIS Symbol

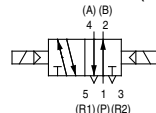
2 position single



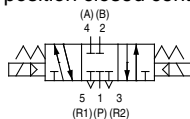
2 position double (metal)



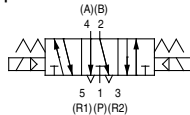
2 position double (rubber)



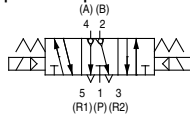
3 position closed center



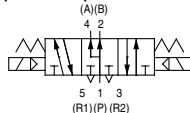
3 position exhaust center



3 position perfect



3 position pressure center



Valve specifications	Valve type	Metal seal	Rubber seal	
	Fluid	Air		
	Maximum operating pressure	1.0 MPa		
	Minimum operating pressure	Single	0.1 MPa	0.1 MPa
		Double	0.1 MPa	0.1 MPa
		3 position	0.1 MPa	0.1 MPa: Size 1 0.15 MPa: Size 2, 3
	Ambient and fluid temperature	-10° to 60°C ⁽¹⁾	-5° to 60°C ⁽¹⁾	
	Lubrication	None		
	Manual override	Push type (Tool required)		
	Impact resistance/ Vibration resistance	150/50 m/s ² ⁽²⁾		
Enclosure	IP65 (Dust/Splashproof type)			
Electric specifications	Rated coil voltage	12 VDC, 24 VDC		
	Allowable voltage fluctuation	-15 to +10% of rated voltage		
	Type of coil insulation	Equivalent to Class B		
	Power consumption	24 VDC	1.8 W DC (75 mA)	
		12 VDC	1.8 W DC (150 mA)	

Note 1) Use dry air to prevent condensation at low temperatures.

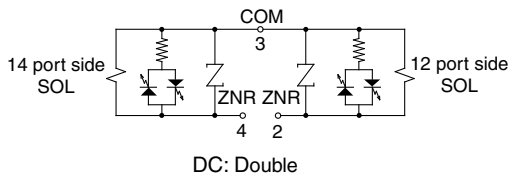
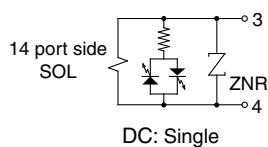
Note 2) Impact resistance: No malfunction resulted during on the impact test using a drop impact tester. The test was performed one time each in the axial and right angle directions of the main valve and armature for both energized and de-energized conditions.

Vibration resistance: No malfunction resulted during a one-sweep test between 8.3 and 2000 Hz. The test was performed in the axial and right angle directions of the main valve and armature for both energized and de-energized conditions.

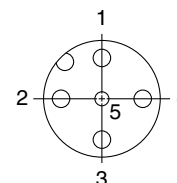
⚠ Precautions

⚠ Caution

Internal Wiring Specifications



M12 connector: Wiring specifications



- Pin no.
- 1: Open
 - 2: 12 port side SOL (+)
 - 3: COM (-)
 - 4: 14 port side SOL (+)
 - 5: Ground

VK

VZ

VF

VFR

VP4

VZS

VFS

VS4

VQ7

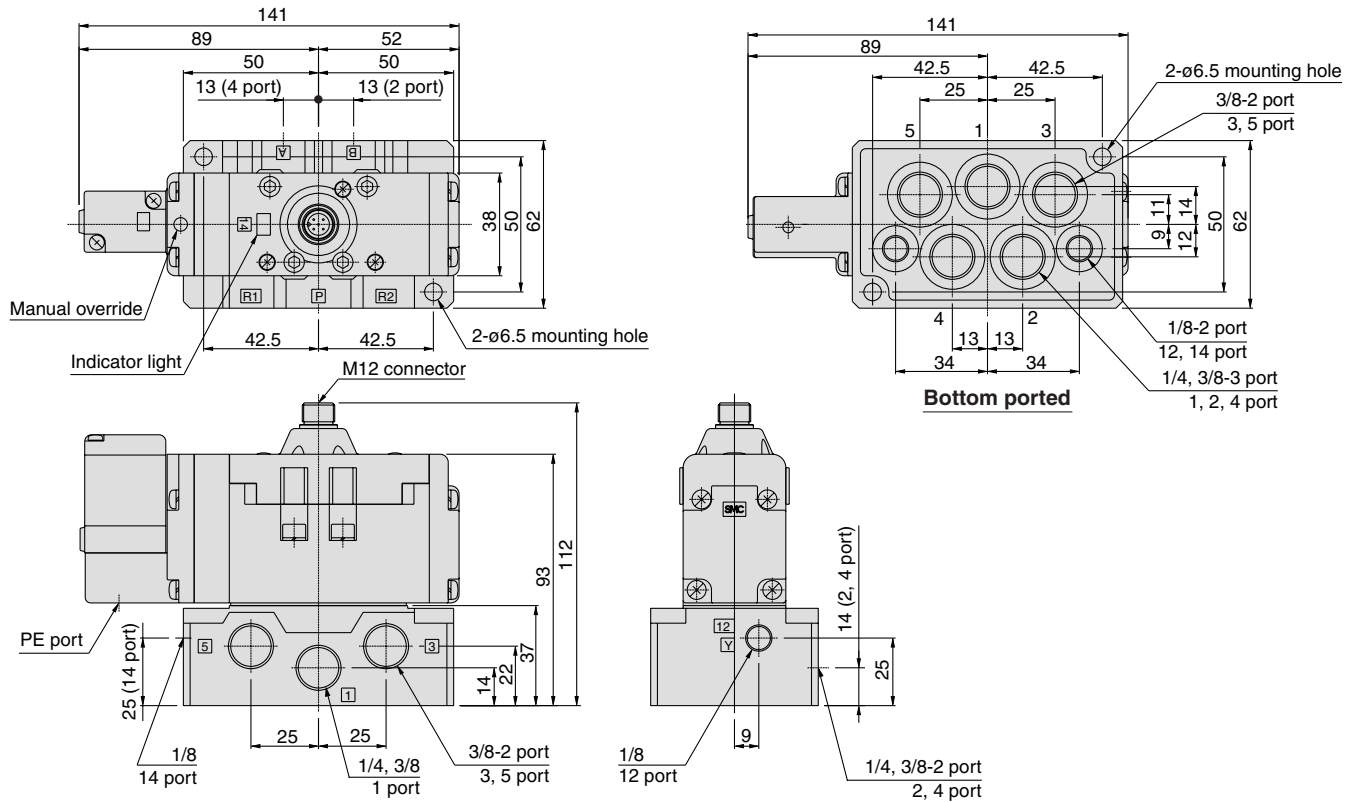
EVS

VFN

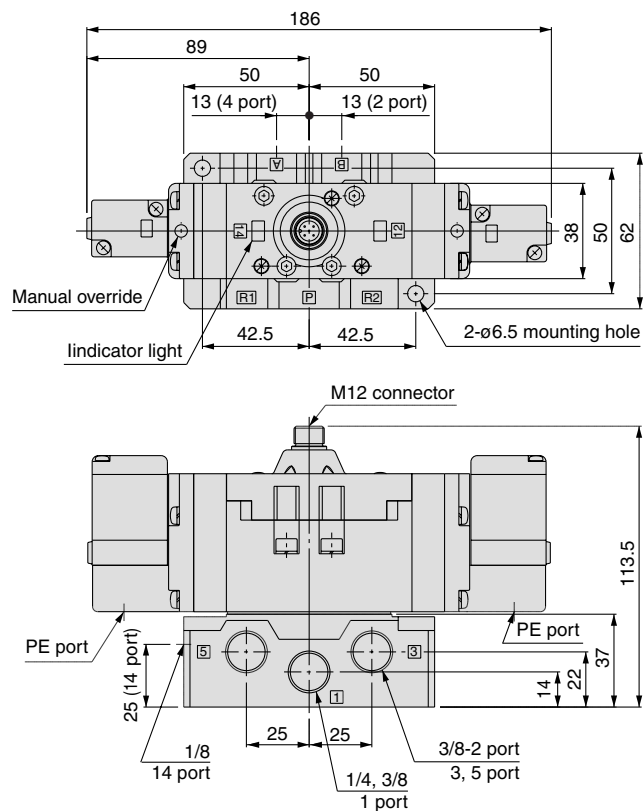
Series EVS7-□

Dimensions

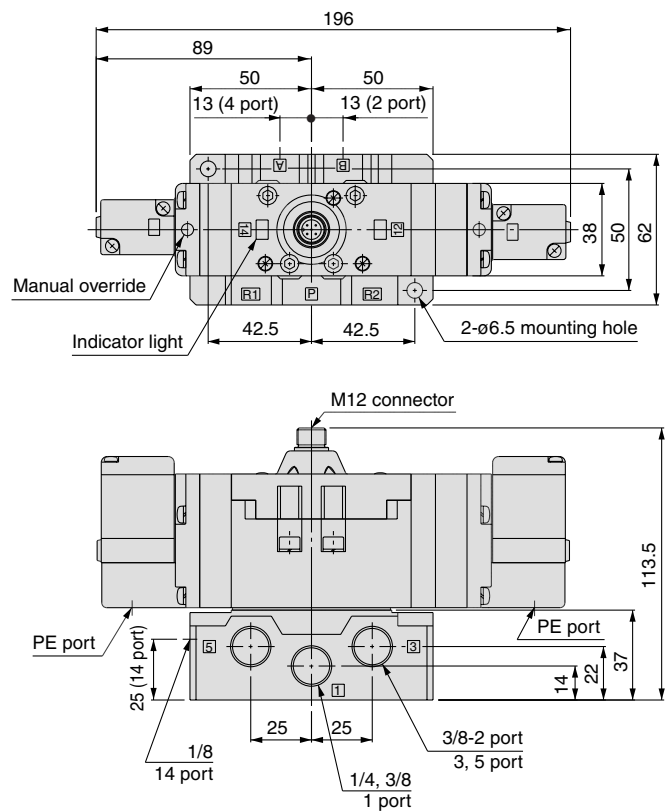
EVS7-6-FG-S-□□M0



EVS7-6-FG-D-□□M0



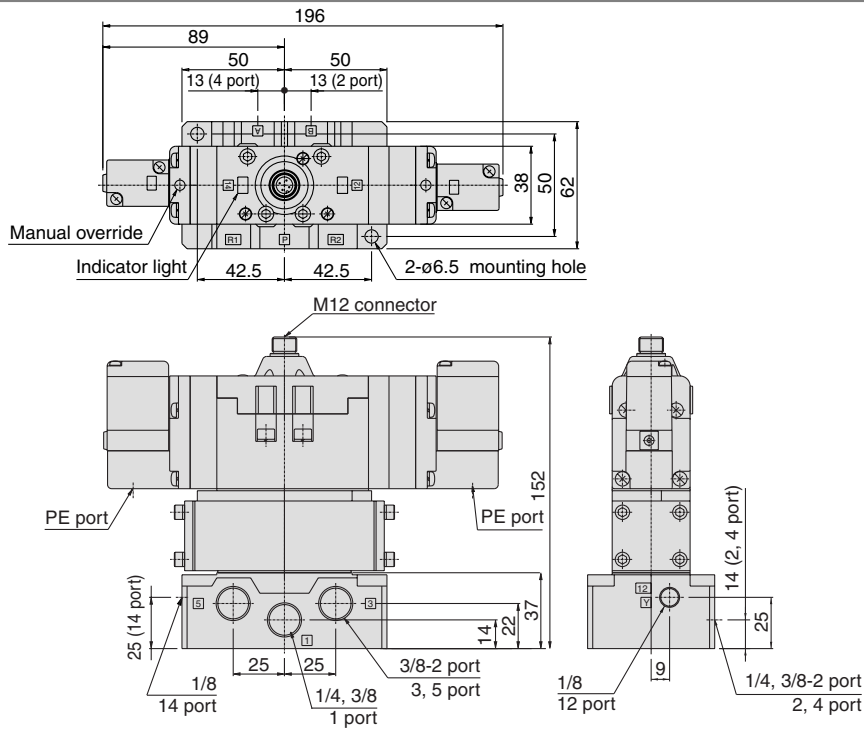
EVS7-6-F^HJG-D-□□M0



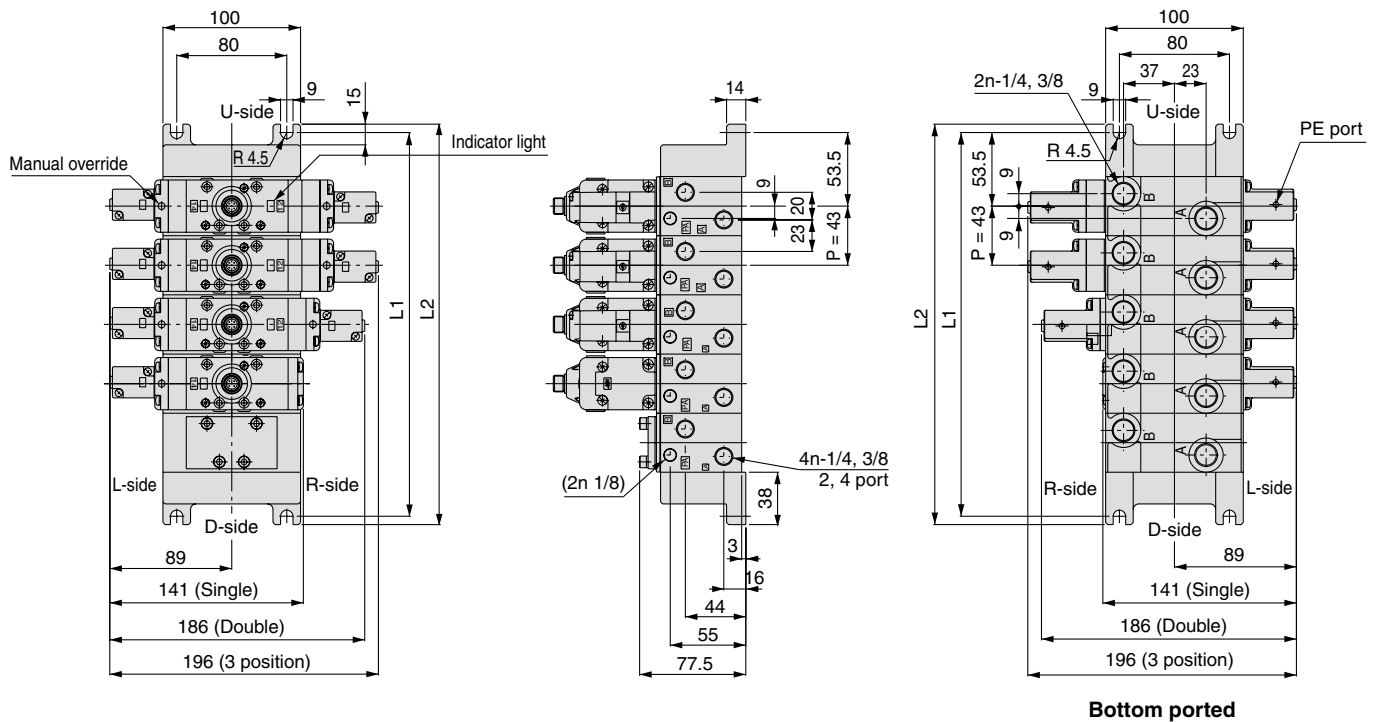
**Conforming to ISO Standard
Solenoid Valve (with M12 Connector) Series EVS7-□**

Dimensions

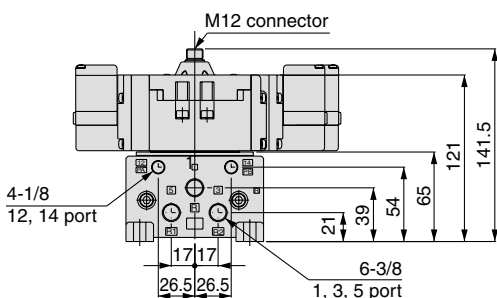
EVS7-6-FPG-D-□□M0



VV71□-□-□□□
(M Connector type)



Bottom ported



L: Dimensions

n: Stations

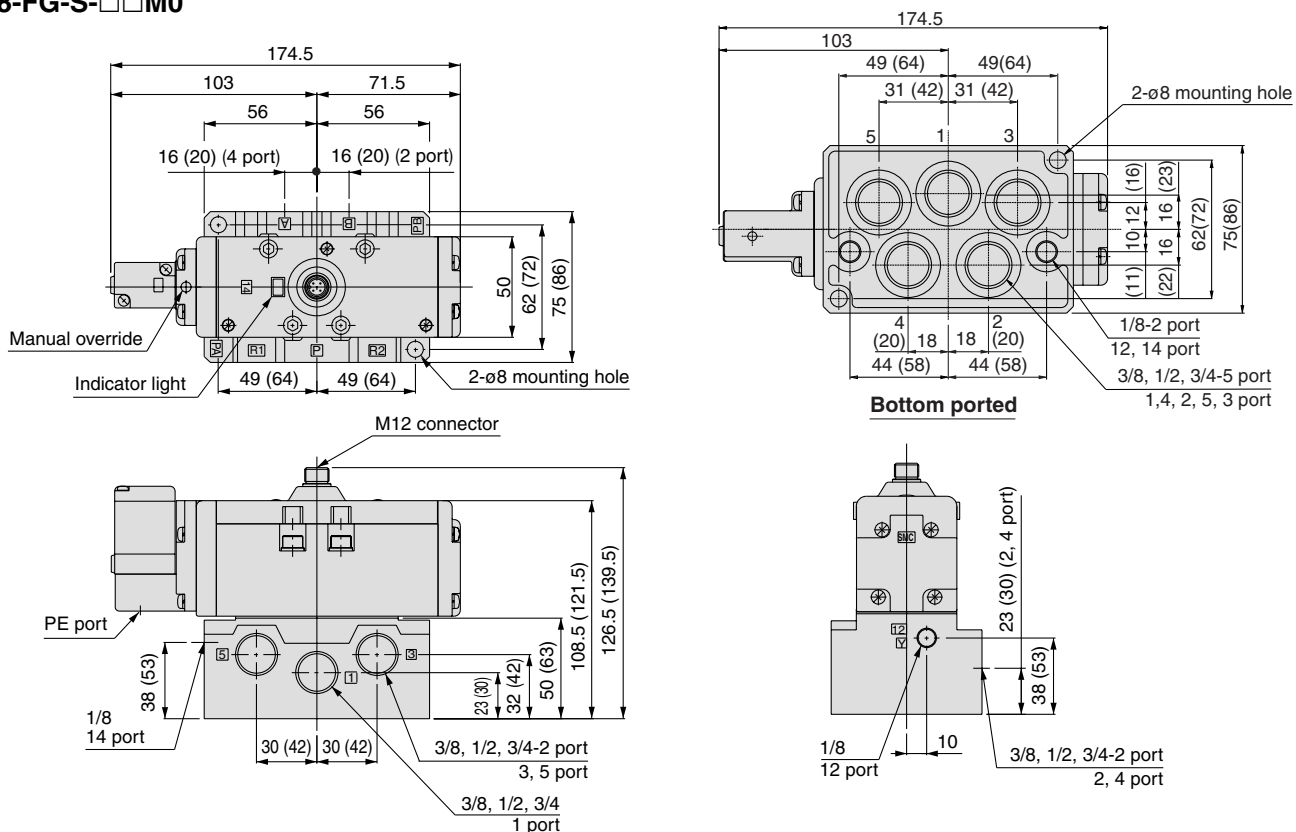
L/n	1	2	3	4	5	6	7	8	9	10	Formula
L1	107	150	193	236	279	322	365	408	451	494	L1 = 43n + 64
L2	119	162	205	248	291	334	377	420	463	506	L2 = 43n + 76

- VK
- VZ
- VF
- VFR
- VP4
- VZS
- VFS
- VS4
- VQ7
- EVS**
- VFN

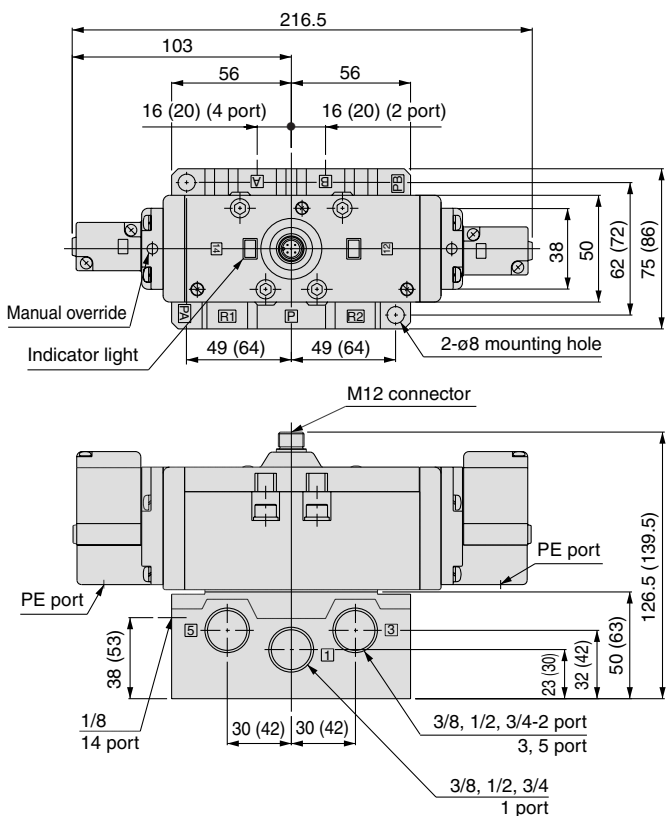
Series EVS7-□

Dimensions

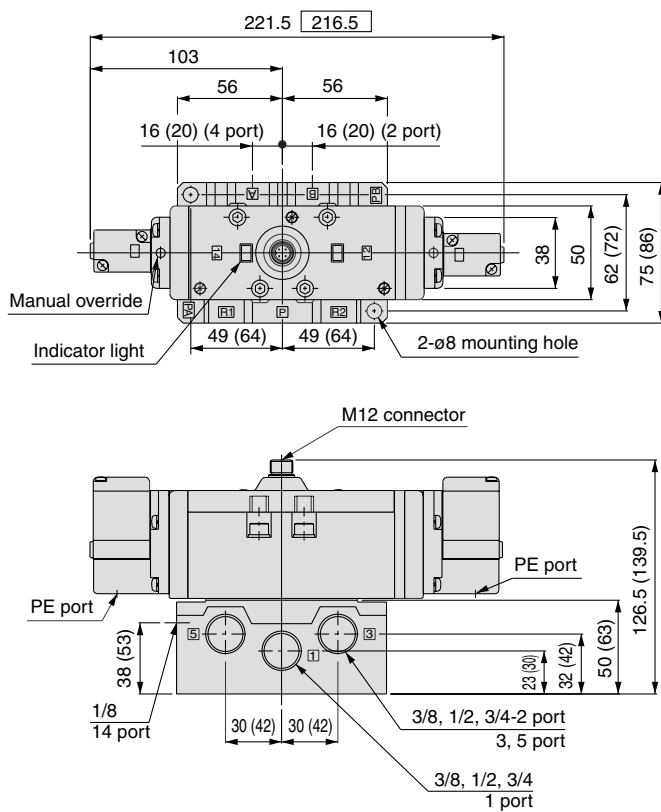
EVS7-8-FG-S-□□M0



EVS7-8-FG-D-□□M0



EVS7-8-F^H_IG-D-□□M0

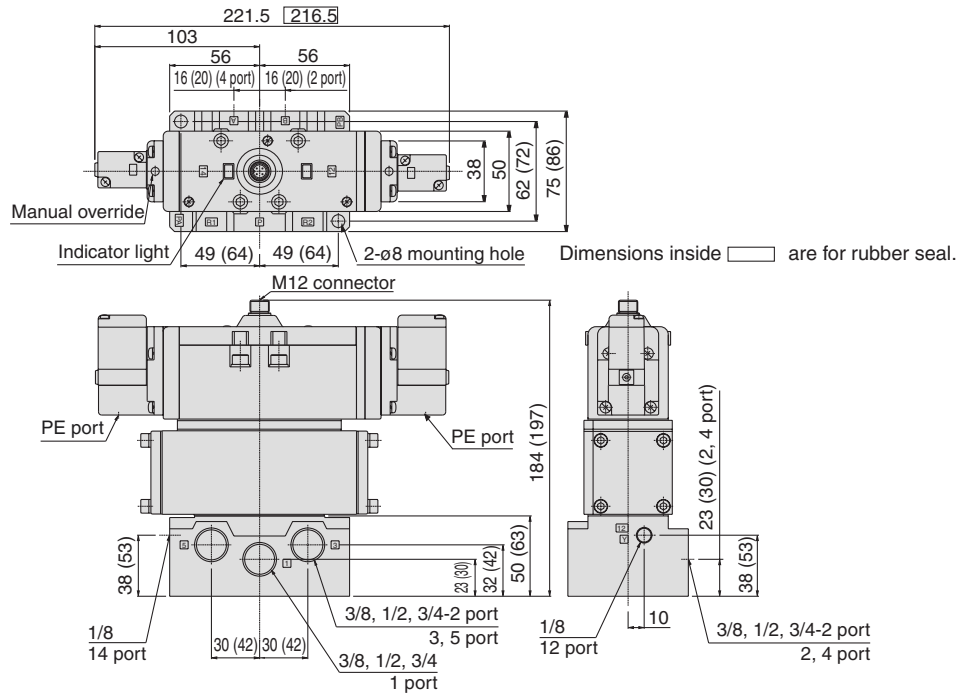


Dimension inside is for rubber seal.
 Dimensions inside () are for Sub-plate.

**Conforming to ISO Standard
Solenoid Valve (with M12 Connector) Series EVS7-□**

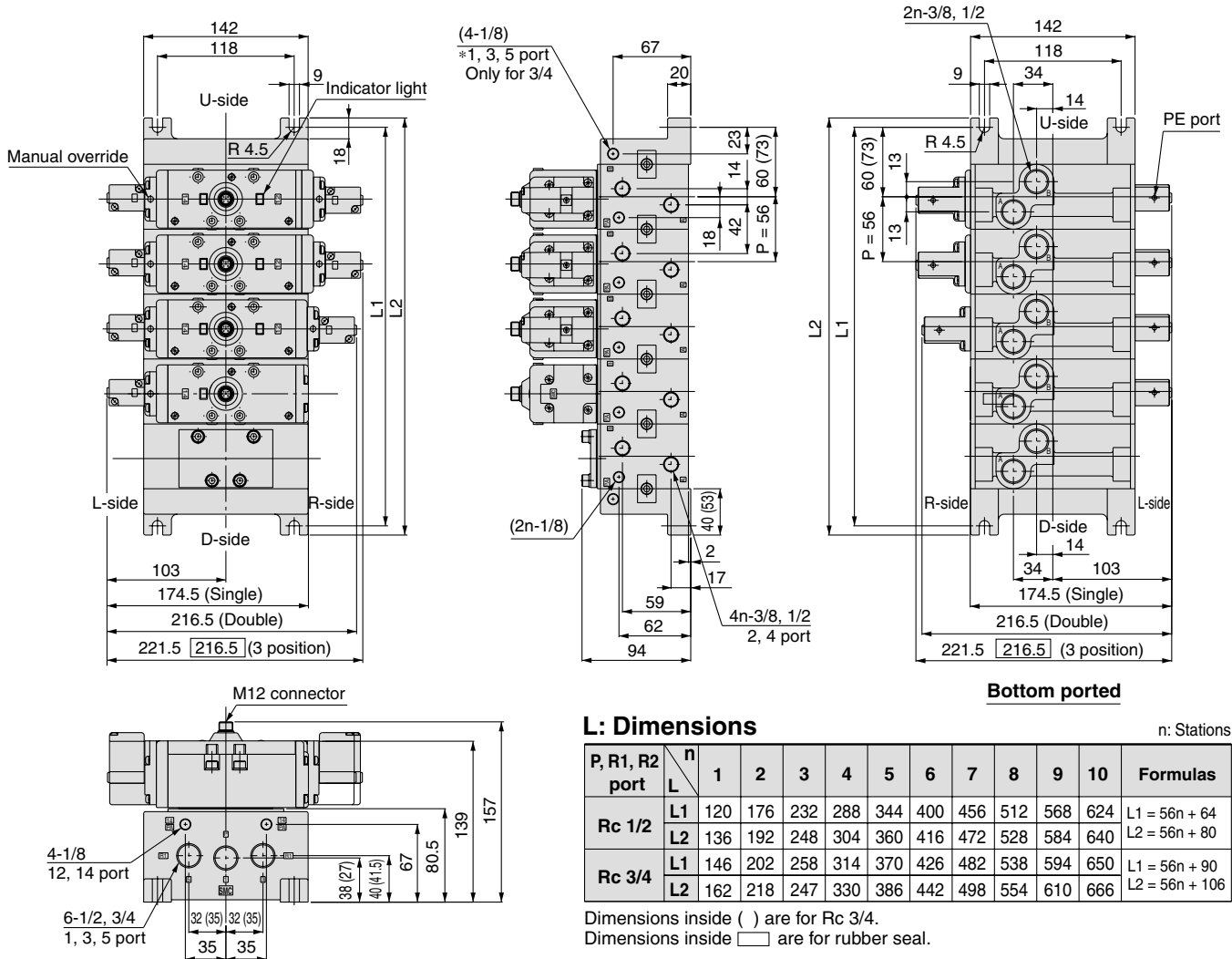
Dimensions

EVS7-8-FPG-D-□□M0



- VK
- VZ
- VF
- VFR
- VP4
- VZS
- VFS
- VS4
- VQ7
- EVS
- VFN

**VV72□-□-□□□
(M connector type)**



L: Dimensions

n: Stations

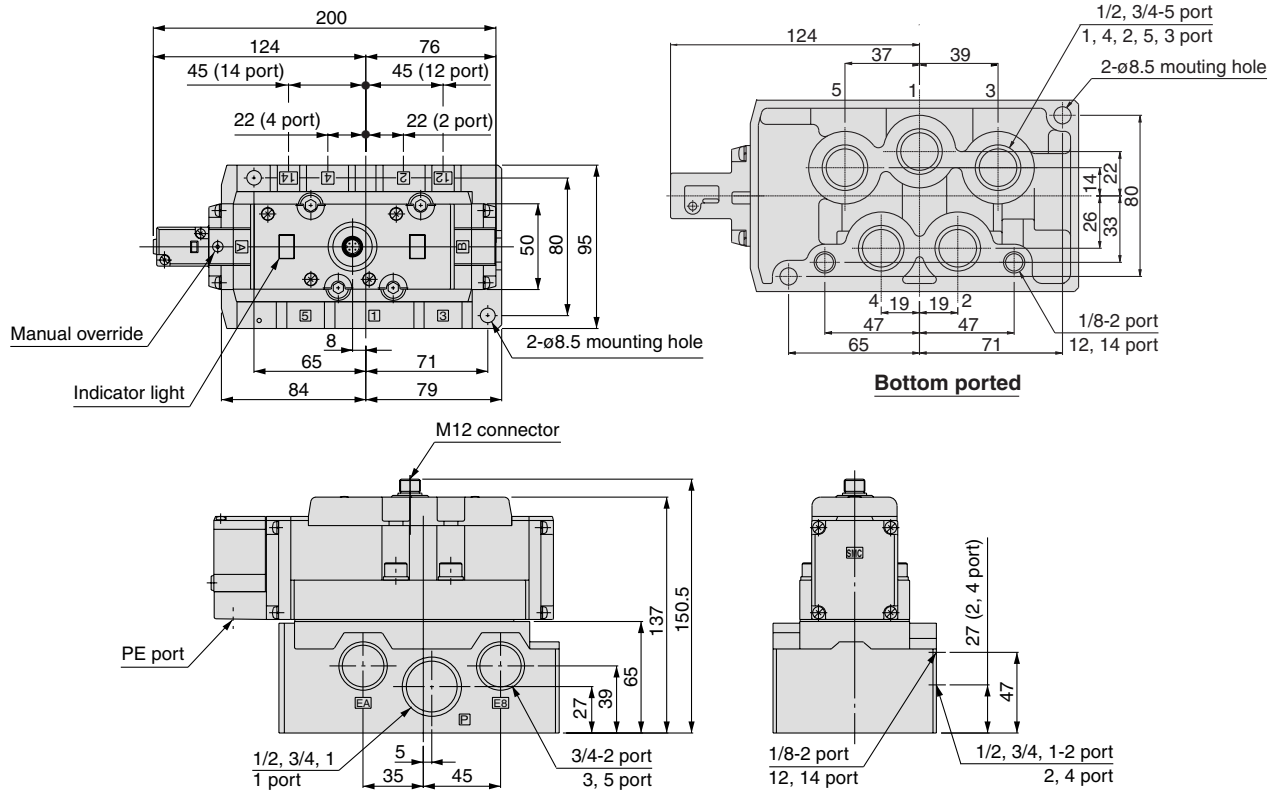
P, R1, R2 port	n	L										Formulas
		1	2	3	4	5	6	7	8	9	10	
Rc 1/2	L1	120	176	232	288	344	400	456	512	568	624	L1 = 56n + 64 L2 = 56n + 80
	L2	136	192	248	304	360	416	472	528	584	640	
Rc 3/4	L1	146	202	258	314	370	426	482	538	594	650	L1 = 56n + 90 L2 = 56n + 106
	L2	162	218	274	330	386	442	498	554	610	666	

Dimensions inside () are for Rc 3/4.
Dimensions inside □ are for rubber seal.

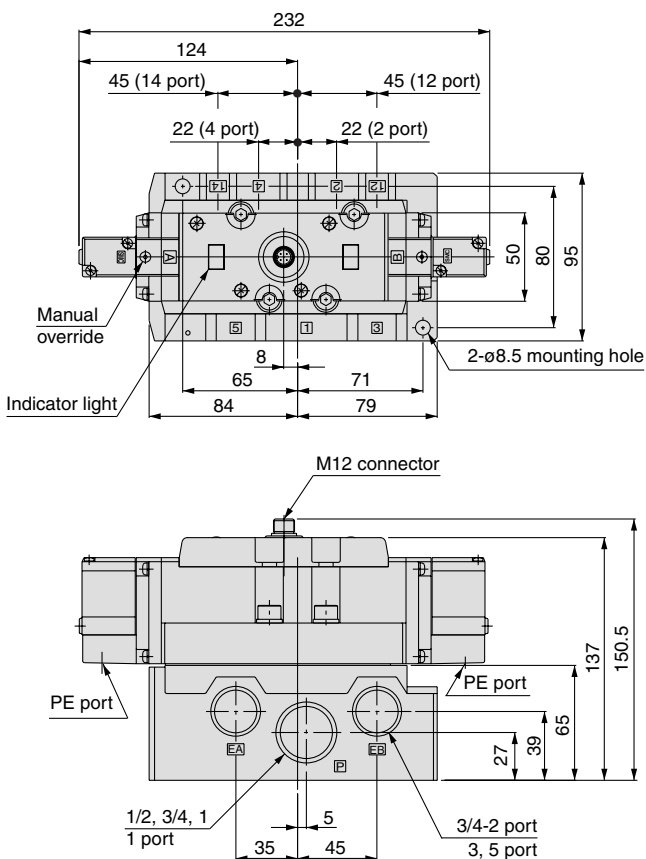
Series EVS7-□

Dimensions

EVS7-10-FG-S-□□M0



EVS7-10-FG-D-□□M0



EVS7-10-F^HJ^G-D-□□M0

