

For **Water**

Air

Oil

Direct Operated 2-Port Solenoid Valve 25A-JSX Series



Differs depending on the voltage and electrical entry. For details, refer to table 8 below.



How to Order



25A-JSX **2** **1** - **S** **N** **302** **R** - **5** **G** - **D** - **B**

• Series compatible with secondary batteries

1 Size

Symbol	Size
1	10
2	20
3	30

2 Valve type

Symbol	Valve type
1	N.C. 2(OUT) 1(IN)

3 Body material

Symbol	Body material
S	Stainless steel

8 Electrical entry

Symbol	Electrical entry	Size			CE/UKCA-compliant	
		10	20	30		
G	Grommet*1		●	●	●	24 VDC
			●	●	●	12 VDC
GS	Grommet with PCB (With surge voltage suppressor)*2		●	●	●	100 VAC
			●	●	●	24 VDC
			●	●	●	12 VDC
			●	●	●	48 VAC
CS	Conduit (With surge voltage suppressor)		—	●	●	24 VAC
			—	●	●	All voltages
DS	DIN terminal (With surge voltage suppressor)		●	●	●	All voltages
			●	●	●	All voltages
DZ	DIN terminal with light (With surge voltage suppressor)		●	●	●	All voltages
			●	●	●	All voltages
DN	DIN terminal without connector (With surge voltage suppressor)		●	●	●	All voltages
			●	●	●	All voltages
WN	M12 connector/ Without connector cable (With surge voltage suppressor)*3		●	●	●	All voltages
			●	●	●	All voltages

4 Seal material

Symbol	Seal material
N	NBR
F	FKM
E	EPDM

5 Orifice diameter and port size

Symbol	Orifice diameter [mmø]	Port size	Size		
			10	20	30
101	1.6	1/8	●	—	—
201	2.4	1/8	●	—	—
301	3.2	1/8	—	●	—
302		1/4	—	●	—
303	3/8	—	●	—	
402	4.0	1/4	—	●	●
403		3/8	—	●	●
502	5.6	1/4	—	●	●
503		3/8	—	●	●
702	7.1	1/4	—	●	●
703		3/8	—	●	●

6 Thread type

Symbol	Thread type
R	Rc
N	NPT
F	G

7 Rated voltage

Symbol	Rated voltage	Symbol	Rated voltage
1	100 VAC	7	240 VAC
2	200 VAC	8	48 VAC
3	120 (110) VAC	B	24 VAC
4	220 VAC	J	230 VAC

9 Oil-free option

Symbol	Option
Nil	None
D	Oil-free

10 Option

Symbol	Option
Nil	None
B	With bracket*1 (Stainless steel)

DC

Symbol	Rated voltage
5	24 VDC
6	12 VDC

*1 Refer to the **Web Catalog** for bracket assembly part nos.

*1 DC voltage only

*2 Although it is possible to manufacture products of any voltage, only the voltages listed in the table are CE/UKCA compliant.

*3 The cable for the M12 connector is not included, so be sure to order it separately. In addition, note that the JSX cable part number in the "Option" section of the **Web Catalog** is not compatible with products with secondary battery specifications.

Flow Rate Characteristics

Size	Port size	Orifice diameter [mmø]	Flow rate characteristics*1						Max. operating pressure differential [MPa]	Model	Weight*2 [g] Stainless steel body*3
			Air			Water, Oil					
			C [dm ³ /(s·bar)]	b	Cv	Kv	Conversion Cv				
10	1/8	1.6	0.36	0.58	0.08	0.07	0.08	0.9	25A-JSX11-S□101	160	
		2.4	0.62	0.45	0.15	0.13	0.15	0.4	25A-JSX11-S□201	160	
20	1/8	3.2	1.35	0.48	0.35	0.30	0.35	0.7	25A-JSX21-S□301	320	
		3.2	1.35	0.48	0.35	0.30	0.35	0.7	25A-JSX21-S□302	320	
		4.0	2.02	0.48	0.52	0.45	0.52	0.3	25A-JSX21-S□402	320	
		5.6	2.62	0.43	0.73	0.63	0.73	0.2	25A-JSX21-S□502	320	
	3/8	7.1	3.15	0.44	0.88	0.76	0.88	0.1	25A-JSX21-S□702	320	
		3.2	1.35	0.48	0.35	0.30	0.35	0.7	25A-JSX21-S□303	320	
		4.0	2.02	0.48	0.52	0.45	0.52	0.3	25A-JSX21-S□403	320	
		5.6	2.62	0.43	0.73	0.63	0.73	0.2	25A-JSX21-S□503	320	
30	1/4	7.1	3.15	0.44	0.88	0.76	0.88	0.1	25A-JSX21-S□703	320	
		4.0	2.02	0.48	0.52	0.45	0.52	1.0	25A-JSX31-S□402	450	
		5.6	2.62	0.43	0.73	0.63	0.73	0.5	25A-JSX31-S□502	450	
		7.1	3.15	0.44	0.88	0.76	0.88	0.2	25A-JSX31-S□702	450	
	3/8	4.0	2.02	0.48	0.52	0.45	0.52	1.0	25A-JSX31-S□403	450	
		5.6	2.62	0.43	0.73	0.63	0.73	0.5	25A-JSX31-S□503	450	
		7.1	3.15	0.44	0.88	0.76	0.88	0.2	25A-JSX31-S□703	450	
		7.1	3.15	0.44	0.88	0.76	0.88	0.2	25A-JSX31-S□703	450	

*1 The flow rate characteristics of this product vary.

*2 The values were calculated based on the combination of an Rc or NPT thread and a grommet. Add 20 g for the grommet type with PCB, 70 g for the conduit type, 50 g for the DIN terminal type, and 15 g for the M12 connector type.

*3 Add 30 g for the G thread (port size 3/8) type.

Applicable Fluid Checklist

Applicable fluid	Seal material		
	NBR	FKM	EPDM
Air	●	●	●
Water	●	●	●
Oil	—	●	—

* The list shows the compatibility between general fluids and the seal materials. Consider the operating environment and application sufficiently before selecting the seal material. Fluid and component compatibility should be checked before use. If something is not clear, please contact SMC.

Direct Operated 2-Port Solenoid Valve

For **Air**

25A-JSX Series



Differs depending on the voltage and electrical entry. For details, refer to table 8 below.

RoHS

How to Order

25A-JSX **2** **1** - **A** **N** **302** **R** - **5** **G** - **D** - **B**

• Series compatible with secondary batteries



1 Size

Symbol	Size
2	20
3	30

2 Valve type

Symbol	Valve type
1	N.C.

3 Body material

Symbol	Body material
A	Aluminum

8 Electrical entry

Symbol	Electrical entry	Size		CE/UKCA-compliant
		20	30	
G	Grommet*1	●	●	24 VDC
		●	●	12 VDC
GS	Grommet with PCB (With surge voltage suppressor)*2	●	●	100 VAC
		●	●	24 VDC
		●	●	12 VDC
		●	●	48 VAC
CS	Conduit (With surge voltage suppressor)	●	●	24 VAC
		●	●	All voltages
DS	DIN terminal (With surge voltage suppressor)	●	●	All voltages
		●	●	All voltages
DZ	DIN terminal with light (With surge voltage suppressor)	●	●	All voltages
		●	●	All voltages
DN	DIN terminal without connector (With surge voltage suppressor)	●	●	All voltages
		●	●	All voltages
WN	M12 connector/Without connector cable (With surge voltage suppressor)*3	●	●	All voltages
		●	●	All voltages

4 Seal material

Symbol	Seal material
N	NBR
F	FKM

5 Orifice diameter and port size

Symbol	Orifice diameter [mmø]	Port size	Size	
			20	30
301	3	1/8	●	—
302		1/4	●	—
402	4	1/4	—	●
403		3/8	—	●
501	5	1/8	●	—
502		1/4	●	—
702	7	1/4	—	●
703		3/8	—	●

6 Thread type

Symbol	Thread type
R	Rc
N	NPT
F	G

7 Rated voltage

AC				DC	
Symbol	Rated voltage	Symbol	Rated voltage	Symbol	Rated voltage
1	100 VAC	7	240 VAC	5	24 VDC
2	200 VAC	8	48 VAC	6	12 VDC
3	120 (110) VAC	B	24 VAC		
4	220 VAC	J	230 VAC		

9 Oil-free option

Symbol	Option
Nil	None
D	Oil-free

10 Option

Symbol	Option
Nil	None
B	With bracket*1

*1 Bracket assembly part nos.
For size 20: 90-VX021N-12A
For size 30: 90-VX022N-12A

*1 DC voltage only

*2 Although it is possible to manufacture products of any voltage, only the voltages listed in the table are CE/UKCA compliant.

*3 The cable for the M12 connector is not included, so be sure to order it separately. In addition, note that the JSX cable part number in the "Option" section of the **Web Catalog** is not compatible with products with secondary battery specifications.

Flow Rate Characteristics

Aluminum Body Type

Size	Port size	Orifice diameter [mmø]	Flow rate characteristics*1			Max. operating pressure differential [MPa]	Model	Weight*2 [g]
			C [dm ³ /(s·bar)]	b	Cv			
20	1/8, 1/4	3	1.41	0.54	0.35	0.7	25A-JSX21-A□30□	240
		5	1.66	0.54	0.52	0.2	25A-JSX21-A□50□	240
30	1/4, 3/8	4	1.57	0.59	0.52	1.0	25A-JSX31-A□40□	400
		7	3.02	0.53	0.88	0.2	25A-JSX31-A□70□	400

*1 The flow rate characteristics of this product vary.

*2 Indicates case of grommet type

Add 20 g for the grommet type with PCB, 70 g for the conduit type, 50 g for the DIN terminal type, and 15 g for the M12 connector type.

For **Water**

Air

Oil

High Flow/ Power Saving Type

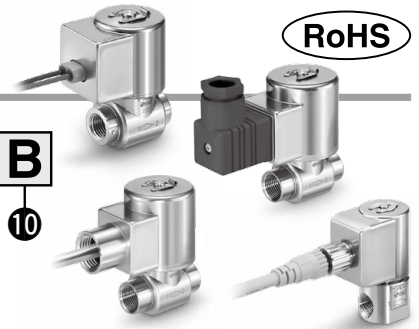
Direct Operated 2-Port Solenoid Valve

25A-JSX□□U Series

CE UK CA
Differs depending on the voltage and electrical entry. For details, refer to table 8 below.

The dimensions are the same as those of the standard JSX series model. Refer to the **Web Catalog** for details.

How to Order



RoHS

25A-JSX **2** **1** **U** - **S** **N** **403** **R** - **5** **GS** - **D** - **B**

Series compatible with secondary batteries

1 2 3 4 5 6 7 8 9 10
U High flow type

1 Size

Symbol	Size
1	10
2	20
3	30

2 Valve type

Symbol	Valve type
1	N.C. 2(OUT) 1(IN)

3 Body material

Symbol	Body material
S	Stainless steel

8 Electrical entry

Symbol	Electrical entry	Size			CE/UKCA-compliant
		10	20	30	
GS	Grommet with PCB (With surge voltage suppressor)	●	●	●	24 VDC 12 VDC
CS	Conduit (With surge voltage suppressor)	—	●	●	
DS	DIN terminal (With surge voltage suppressor)	●	●	●	
DZ	DIN terminal with light (With surge voltage suppressor)	●	●	●	
DN	DIN terminal without connector (With surge voltage suppressor)	●	●	●	
WN	M12 connector/Without connector cable*1 (With surge voltage suppressor)	●	●	●	

4 Seal material

Symbol	Seal material
N	NBR
F	FKM
E	EPDM

5 Orifice diameter and port size

Symbol	Orifice diameter [mmø]	Port size	Size		
			10	20	30
201	2.4	1/8	●	—	—
402	4.0	1/4	—	●	—
403		3/8	—	●	—
702	7.1	1/4	—	●	●
703		3/8	—	●	●

6 Thread type

Symbol	Thread type
R	Rc
N	NPT
F	G

7 Rated voltage

Symbol	Rated voltage
5	24 VDC
6	12 VDC

9 Oil-free option

Symbol	Option
Nil	None
D	Oil-free

10 Option

Symbol	Option
Nil	None
B	With bracket*1 (Stainless steel)

*1 Refer to the **Web Catalog** for bracket assembly part nos.

*1 The cable for the M12 connector is not included, so be sure to order it separately. In addition, note that the JSX cable part number in the "Option" section of the **Web Catalog** is not compatible with products with secondary battery specifications.
* A grommet type is not available.

Flow Rate Characteristics

Size	Port size	Orifice diameter [mmø]	Flow rate characteristics*1						Max. operating pressure differential [MPa]	Model	Weight*2 [g]
			Air			Water, Oil					
			C	b	Cv	Kv	Conversion Cv				
10	1/8	2.4	0.62	0.45	0.15	0.13	0.15	0.9	25A-JSX11U-S□201	180	
		4.0	2.02	0.48	0.52	0.45	0.52	1.0	25A-JSX21U-S□402	340	
20	1/4	7.1	3.15	0.44	0.88	0.76	0.88	0.4	25A-JSX21U-S□702	340	
		4.0	2.02	0.48	0.52	0.45	0.52	1.0	25A-JSX21U-S□403	340	
	3/8	7.1	3.15	0.44	0.88	0.76	0.88	0.4	25A-JSX21U-S□703	340	
		4.0	2.02	0.48	0.52	0.45	0.52	1.0	25A-JSX21U-S□403	340	
30	1/4	7.1	3.15	0.44	0.88	0.76	0.88	0.8	25A-JSX31U-S□702	470	
		7.1	3.15	0.44	0.88	0.76	0.88	0.8	25A-JSX31U-S□703	470	

*1 The flow rate characteristics of this product vary.
*2 The values were calculated based on the combination of an Rc or NPT thread and a grommet with PCB. Add 50 g for the conduit type, 30 g for the DIN terminal type, and -5 g for the M12 connector type.
*3 Add 30 g for the G thread (port size 3/8) type.

Applicable Fluid Checklist

Applicable fluid	Seal material		
	NBR	FKM	EPDM
Air	●	●	●
Water	●	●	●
Oil	—	●	—

* The list shows the compatibility between general fluids and the seal materials. Consider the operating environment and application sufficiently before selecting the seal material. Fluid and component compatibility should be checked before use. If something is not clear, please contact SMC.

Direct Operated 2-Port Solenoid Valve

25A-VX21/22/23 Series

 For Air Single Unit



How to Order (Single Unit)



25A - VX2 1 0 A A

Series compatible with secondary batteries

Fluid

0 For air

Size/Valve type

Symbol	Size	Valve type
1	Size 1	Single unit N.C.

Body material/Port size/Orifice diameter

Symbol	Body material	Port size	Orifice diameter	
A	Aluminum	1/8	2	
B			3	
C			5	
D			1/4	2
E				3
F	5			
H	Resin	ø6 One-touch fitting	2	
J			3	
K			5	
L			ø8 One-touch fitting	2
M				3
N	5			

Symbol	Size	Valve type
2	Size 2	Single unit N.C.

Symbol	Body material	Port size	Orifice diameter	
A	Aluminum	1/4	4	
B			7	
D			3/8	4
E	7			
F	Resin	ø8 One-touch fitting		4
H			7	
J			ø10 One-touch fitting	4
L				7
M			7	

Symbol	Size	Valve type
3	Size 3	Single unit N.C.

Symbol	Body material	Port size	Orifice diameter	
A	Aluminum	1/4	5	
B			8	
C			10	
D		3/8	5	
E			8	
F			10	
G	Resin	1/2	10	
H			ø10 One-touch fitting	5
J				8
K		10		
L		ø12 One-touch fitting	5	
M			8	
N	10			

For other special options, refer to the standard products.

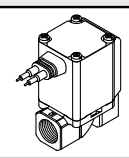
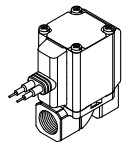
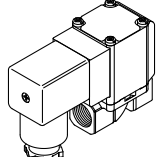
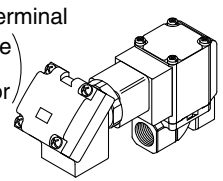
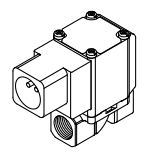
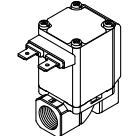
Special voltage	24 VAC	Low concentration ozone resistant (Seal material: FKM)
	48 VAC	
	220 VAC	
	240 VAC	
	12 VDC	
DIN terminal with light		Seal material: EPDM
Conduit terminal with light		Oil-free
Without DIN connector		G thread
		NPT thread
		With bracket (Aluminum body only)
		Mounting holes on the bottom side of the body (Aluminum body only)
		Special electrical entry direction

* Using the oil-free specification in a low dew point environment may result in the reduced service life of the product. Please monitor the actual device in a low dew point environment in order to determine the actual service life of the product.

Common Specifications

Valve type	N.C.
Seal material	NBR
Coil insulation type	Class B
Thread type	Rc

Voltage/Electrical entry

Symbol	Voltage	Electrical entry
A	24 VDC	Grommet 
B	100 VAC	Grommet (With surge voltage suppressor) 
C	110 VAC	
D	200 VAC	
E	230 VAC	DIN terminal (With surge voltage suppressor) 
F	24 VDC	
G	24 VDC	
H	100 VAC	
J	110 VAC	
K	200 VAC	Conduit terminal (With surge voltage suppressor) 
L	230 VAC	
M	24 VDC	
N	100 VAC	
P	110 VAC	
Q	200 VAC	
R	230 VAC	
S	24 VDC	Conduit (With surge voltage suppressor) 
T	100 VAC	
U	110 VAC	
V	200 VAC	
W	230 VAC	
Y	24 VDC	Flat terminal 
Z	Other voltages and electrical options	

* The 25A- series specifications and dimensions are the same as those of the standard model.

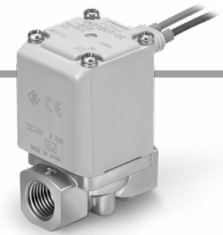
For details, refer to the [Web Catalog](#).

Direct Operated 2-Port Solenoid Valve

25A-VX21/22/23 Series

 For Water Single Unit

 For Medium Vacuum Single Unit



How to Order (Single Unit)

25A - VX2 1 4 H A

Series compatible with secondary batteries

Fluid

2	For water
4	For medium vacuum

Size/Valve type

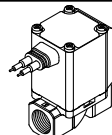
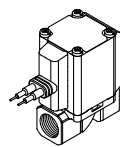
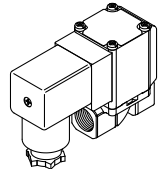
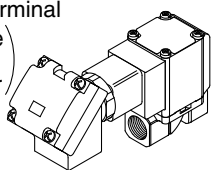
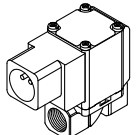
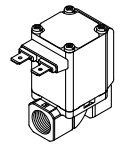
Body material/Port size/Orifice diameter

Symbol	Size	Valve type	Symbol	Body material	Port size	Orifice diameter	
1	Size 1	Single unit N.C.	H	Stainless steel	1/8	2	
			J			3	
			K			5	
			L		1/4	2	
			M			3	
			N			5	
2	Size 2	Single unit N.C.	H	Stainless steel	1/4	4	
			J			7	
			L		3/8	4	
			M			7	
3	Size 3	Single unit N.C.	H	Stainless steel	1/4	5	
			J			8	
			K			10	
			L			5	
			M		3/8	8	
			N			10	
			P			1/2	10

Common Specifications

Valve type	N.C.
Seal material	NBR (For water)
	FKM (For medium vacuum)
Coil insulation type	Class B
Thread type	Rc

Voltage/Electrical entry

Symbol	Voltage	Electrical entry
A	24 VDC	Grommet 
B	100 VAC	Grommet (With surge voltage suppressor) 
C	110 VAC	
D	200 VAC	
E	230 VAC	
F	24 VDC	DIN terminal (With surge voltage suppressor) 
G	24 VDC	
H	100 VAC	
J	110 VAC	
K	200 VAC	
L	230 VAC	Conduit terminal (With surge voltage suppressor) 
M	24 VDC	
N	100 VAC	
P	110 VAC	
Q	200 VAC	Conduit (With surge voltage suppressor) 
R	230 VAC	
S	24 VDC	
T	100 VAC	
U	110 VAC	
V	200 VAC	Flat terminal 
W	230 VAC	
Y	24 VDC	
Z	Other voltages and electrical options	

For other special options, refer to the standard products.

Special voltage	24 VAC	Applicable to deionized water (Seal material: FKM) Seal material: EPDM Oil-free G thread NPT thread With bracket Mounting holes on the bottom side of the body Special electrical entry direction
	48 VAC	
	220 VAC	
	240 VAC	
	12 VDC	
DIN terminal with light		
Conduit terminal with light		
Without DIN connector		

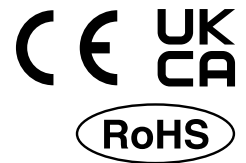
* Using the oil-free specification in a low dew point environment may result in the reduced service life of the product. Please monitor the actual device in a low dew point environment in order to determine the actual service life of the product.

* The 25A-series specifications and dimensions are the same as those of the standard model.

For details, refer to the [Web Catalog](#).

Pilot Operated 2-Port Solenoid Valve For Air

25A-VXD Series



How to Order

25A - VXD2 3 0 A A

Series compatible with secondary batteries

Fluid

0 For Air

Size—Valve type

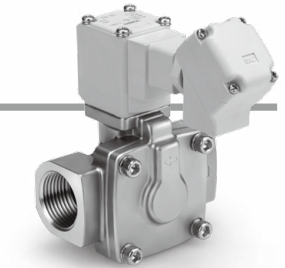
Symbol	Size	Valve type
3	8A	N.C.
	10A	N.O.
	15A	
4	10A	N.C.
	15A	N.O.
5	20A	N.C.
		N.O.
6	25A	N.C.
		N.O.

Body material/Port size/Orifice diameter

Symbol	Body material	Port size	Orifice diameter
A	Aluminum	1/4	10
		3/8	
		1/2	
J	Stainless steel	3/8	15
		1/2	
M	Stainless steel	3/4	20
		1	
P	Stainless steel	1	25
		25	

Voltage/Electrical entry

Symbol	Voltage	Electrical entry	
A	24 VDC	Grommet	
	B	100 VAC	Grommet (With surge voltage suppressor)
		110 VAC	
		200 VAC	
	C	230 VAC	DIN terminal (With surge voltage suppressor)
	D	24 VDC	
E	24 VDC	Conduit terminal (With surge voltage suppressor)	
F	100 VAC		
G	110 VAC		
H	200 VAC	Conduit (With surge voltage suppressor)	
I	230 VAC		
J	24 VDC	Flat terminal	
K	100 VAC		
L	110 VAC		
M	200 VAC	Other special options	
N	230 VAC		
O	24 VDC		
P	100 VAC		
Q	110 VAC		
R	200 VAC		
S	230 VAC		
T	24 VDC		
U	100 VAC		
V	110 VAC		
W	200 VAC		
X	230 VAC		
Y	24 VDC		
Z			



Common Specifications

Seal material	NBR
Coil insulation type	Class B
Thread type	Rc

All other special options are the same as those of the standard model.

Special voltage	24 VAC
	48 VAC
	220 VAC
	240 VAC
	12 VDC
DIN terminal with light	
Conduit terminal with light	
Without DIN connector	
Low concentration ozone resistant (Seal material: FKM)	
Seal material: EPDM	
Oil-free	
G thread	
NPT thread	
With bracket	
Special electrical entry direction	

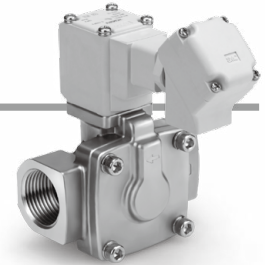
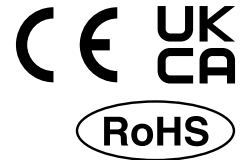
* Using the oil-free specification in a low dew point environment may result in the reduced service life of the product. Please monitor the actual device in a low dew point environment in order to determine the actual service life of the product.

* The 25A- series specifications and dimensions are the same as those of the standard model.

For details, refer to the [Web Catalog](#).

Pilot Operated 2-Port Solenoid Valve For Water

25A-VXD Series



How to Order

25A - VXD2 3 2 D A

Series compatible with secondary batteries

Fluid

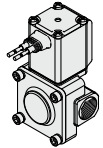
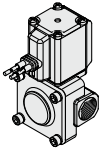
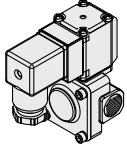
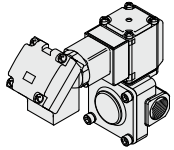
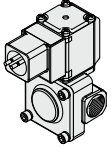
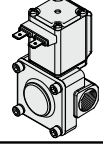
2 For Water

Common Specifications

Seal material	NBR
Coil insulation type	Class B
Thread type	Rc

Size—Valve type			Body material/Port size/Orifice diameter			
Symbol	Size	Valve type	Symbol	Body material	Port size	Orifice diameter
3	8A	N.C.	D	Stainless steel	1/4	10
	10A	N.O.			E	
A	15A				F	
4	10A	N.C.	J	Stainless steel	3/8	15
	B	15A			K	
5	20A	N.C.	M	Stainless steel	3/4	20
C		N.O.				
6	25A	N.C.	P	Stainless steel	1	25
D		N.O.				

Voltage/Electrical entry

Symbol	Voltage	Electrical entry
A	24 VDC	Grommet 
B	100 VAC	Grommet (With surge voltage suppressor) 
C	110 VAC	
D	200 VAC	
E	230 VAC	
F	24 VDC	
G	24 VDC	DIN terminal (With surge voltage suppressor) 
H	100 VAC	
J	110 VAC	
K	200 VAC	
L	230 VAC	Conduit terminal (With surge voltage suppressor) 
M	24 VDC	
N	100 VAC	
P	110 VAC	
Q	200 VAC	
R	230 VAC	
S	24 VDC	Conduit (With surge voltage suppressor) 
T	100 VAC	
U	110 VAC	
V	200 VAC	
W	230 VAC	Flat terminal 
Y	24 VDC	
Z	Other voltages and electrical option	

All other special options are the same as those of the standard model.

Special voltage	24 VAC
	48 VAC
	220 VAC
	240 VAC
	12 VDC
DIN terminal with light	
Conduit terminal with light	
Without DIN connector	
Applicable to deionized water (Seal material: FKM)	
Seal material: EPDM	
Oil-free	
G thread	
NPT thread	
With bracket	
Special electrical entry direction	

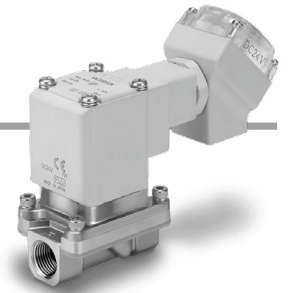
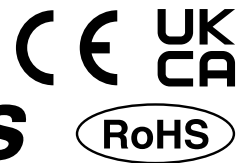
* Using the oil-free specification in a low dew point environment may result in the reduced service life of the product. Please monitor the actual device in a low dew point environment in order to determine the actual service life of the product.

* The 25A- series specifications and dimensions are the same as those of the standard model.

For details, refer to the [Web Catalog](#).

Zero Differential Pressure Type Pilot Operated 2-Port Solenoid Valve/For Air

25A-VXZ Series



How to Order (Single Unit)

25A - VXZ2 3 0 A A

Series compatible with secondary batteries

Fluid

0 For Air

Common Specifications

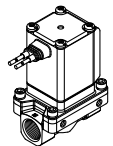
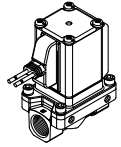
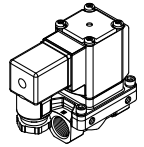
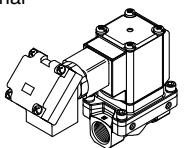
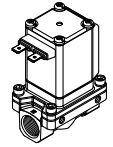
Seal material	NBR
Coil insulation type	Class B
Thread type	Rc

Size/Valve type

Symbol	Body size	Valve type	Symbol	Body material	Port size	Orifice diameter
3	10A	N.C.	A	Aluminum	1/4	10
A		N.O.	B		3/8	
4	15A	N.C.	G	Stainless steel	1/2	15
B		N.O.				
5	20A	N.C.	J	Stainless steel	3/4	20
C		N.O.				
6	25A	N.C.	L	Stainless steel	1	25
D		N.O.				

Body material/Port size/Orifice diameter

Voltage/Electrical entry

Symbol	Voltage	Electrical entry
A	24 VDC	Grommet 
B	100 VAC	Grommet (With surge voltage suppressor) 
C	110 VAC	
D	200 VAC	
E	230 VAC	
F	24 VDC	DIN terminal (With surge voltage suppressor) 
G	24 VDC	
H	100 VAC	
J	110 VAC	
K	200 VAC	
L	230 VAC	Conduit terminal (With surge voltage suppressor) 
M	24 VDC	
N	100 VAC	
P	110 VAC	
Q	200 VAC	
R	230 VAC	
S	24 VDC	
T	100 VAC	
U	110 VAC	
V	200 VAC	
W	230 VAC	
Y	24 VDC	Flat terminal 
Z	Other voltages	

All other special options are the same as those of the standard model.

Special voltage	24 VAC
	48 VAC
	220 VAC
	240 VAC
	12 VDC
DIN terminal with light	
Conduit terminal with light	
Without DIN connector	
Low concentration ozone resistant (Seal material: FKM)	
Seal material: EPDM	
Oil-free	
G thread	
NPT thread	
With bracket (Standard for resin body)	
Special electrical entry direction	

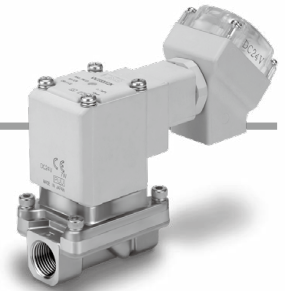
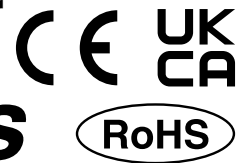
* Using the oil-free specification in a low dew point environment may result in the reduced service life of the product. Please monitor the actual device in a low dew point environment in order to determine the actual service life of the product.

* The 25A- series specifications and dimensions are the same as those of the standard model.

For details, refer to the [Web Catalog](#).

Zero Differential Pressure Type Pilot Operated 2-Port Solenoid Valve/For Water

25A-VXZ Series



How to Order (Single Unit)

25A - VXZ2 3 2 C A

Series compatible with secondary batteries

Fluid

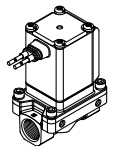
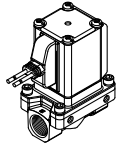
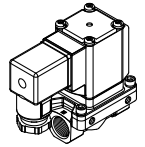
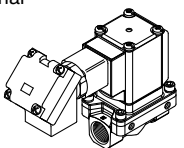
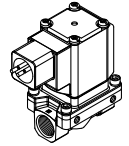
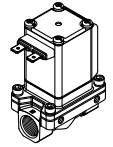
2 For Water

Size/Valve type

Symbol	Body size	Valve type	Symbol	Body material	Port size	Orifice diameter
3	10A	N.C.	C	Stainless steel	1/4	10
A		N.O.	D		3/8	
4	15A	N.C.	G	Stainless steel	1/2	15
B		N.O.				
5	20A	N.C.	J	Stainless steel	3/4	20
C		N.O.				
6	25A	N.C.	L	Stainless steel	1	25
D		N.O.				

Body material/Port size/Orifice diameter

Voltage/Electrical entry

Symbol	Voltage	Electrical entry
A	24 VDC	Grommet 
B	100 VAC	Grommet (With surge voltage suppressor) 
C	110 VAC	
D	200 VAC	
E	230 VAC	
F	24 VDC	DIN terminal (With surge voltage suppressor) 
G	24 VDC	
H	100 VAC	
J	110 VAC	
K	200 VAC	Conduit terminal (With surge voltage suppressor) 
L	230 VAC	
M	24 VDC	
N	100 VAC	
P	110 VAC	Conduit (With surge voltage suppressor) 
Q	200 VAC	
R	230 VAC	
S	24 VDC	
T	100 VAC	Flat terminal 
U	110 VAC	
V	200 VAC	
W	230 VAC	
Y	24 VDC	
Z	Other voltages	

All other special options are the same as those of the standard model.

Special voltage	24 VAC
	48 VAC
	220 VAC
	240 VAC
	12 VDC
DIN terminal with light	
Conduit terminal with light	
Without DIN connector	
Applicable to deionized water (Seal material: FKM)	
Seal material: EPDM	
Oil-free	
G thread	
NPT thread	
With bracket	
Special electrical entry direction	

* Using the oil-free specification in a low dew point environment may result in the reduced service life of the product. Please monitor the actual device in a low dew point environment in order to determine the actual service life of the product.

* The 25A- series specifications and dimensions are the same as those of the standard model.

For details, refer to the [Web Catalog](#).